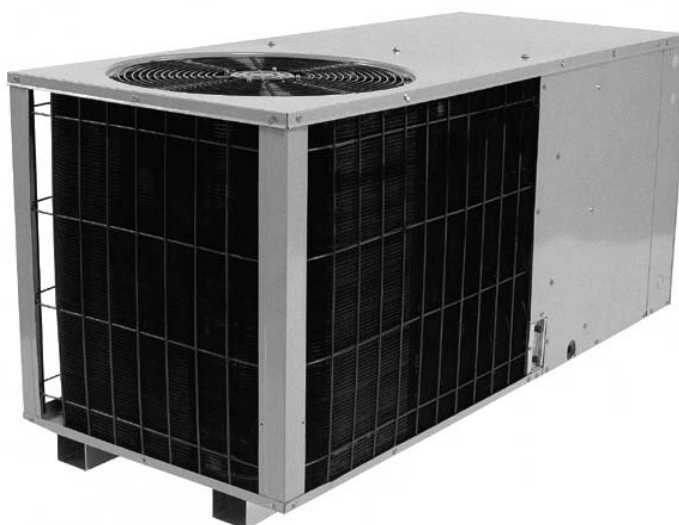




REPAIR PARTS

PHK*B/F 10 SEER Package Heat Pump Gray Color Units

- PHK024-1B
- PHK024-1F
- PHK030-1B
- PHK030-1F
- PHK036-1B
- PHK036-1F
- PHK036-3B
- PHK036-3F
- PHK042-1B
- PHK042-1F
- PHK048-1B
- PHK048-1F
- PHK048-3B
- PHK048-3F
- PHK060-1B
- PHK060-1F
- PHK060-3B
- PHK060-3F



Made in the USA by:
Goodman Manufacturing Company, L.P.
2550 North Loop West, Suite 400
Houston Texas 77092

www.goodmanmfg.com

RP-325B
September 2005

This manual replaces RP-325A

Important Information

Goodman Manufacturing Company, L.P. is not responsible for personal injury or property damage resulting from improper service. Review all service information before beginning repairs.

Warranty service must be performed by an authorized technician, using authorized factory parts. If service is required after the warranty expires, Goodman Manufacturing Company, L.P. also recommends contacting an authorized technician and using authorized factory parts.

Goodman Manufacturing Company, L.P., reserves the right to discontinue, or change at any time, specifications or designs without notice or without incurring obligations. Goodman® brand products are made proudly in the USA.

For assistance within the U.S.A. contact:

Consumer Affairs Department
Goodman Manufacturing Company, L.P.
7401 Security Way
Houston, Texas 77040
877-254-4729-Telephone
713-863-2382-Facsimile

For assistance outside the U.S.A. contact:

International Division
Goodman Manufacturing Company, L.P.
7401 Security Way
Houston, Texas 77040
713-861-2500-Telephone
713-863-2382-Facsimile

Index

Functional Parts List	4 - 5
Illustration and Parts	6 - 11

Views shown are for parts illustrations only, not servicing procedures.

Revision B: Corrected reference numbers on pages 10 and 11.

Text Codes:

AR - As Required

NA - Not Available

NS - Not Shown

00000000 - See Note

QTY - Quantity Example (QTY 3) (If Quantity not shown, Quantity = 1)

M - Model Example (M1) (If M Code not shown, then part is used on all Models)

Expanded Model Nomenclature:

Example M1 - Model#1 M2 - Model#2 M3 - Model#3

Functional Parts

Part

No: Description:

B1226206	ACCUMULATOR, 3/4" (M3, M4, M12, M13)
B1226205	ACCUMULATOR, 5/8" (M1, M2, M10, M11)
B1226207	ACCUMULATOR, 7/8" (M5, M6, M7, M8, M9, M14, M15, M16, M17, M18)
B1368042	BLOWER WHEEL, 9 X 6 CW, 1/2 HUB (M1, M2, M10, M11)
B1368036	BLOWER WHEEL, 9 X 8,CW, 1/2 HUB (M3, M4, M5, M6, M7, M12, M13, M14, M15, M16)
B1368016	BLOWER WHEEL, 10 X 8,CW,1/2 HUB (M8, M9, M17, M18)
B945652	CAPACITOR 10/370 (M1, M2, M10, M11)
B945672	CAPACITOR 12.5/370 (M5, M6, M7, M14, M15, M16)
B945653	CAPACITOR 15/370 (M8, M9, M17, M18)
B94575300	CAPACITOR 35/5/370 (M1, M2, M10, M11)
B94575500	CAPACITOR 40/5/370 (M3, M12)
B94575600	CAPACITOR 40/5/440 (M5, M6, M14, M15)
B945650	CAPACITOR 5/370 (M4, M7, M9, M13, M16, M18)
B945651	CAPACITOR 7.5/370 (M3, M4, M12, M13)
B94577600S	CAPACITOR 80/5/370 (M8, M17)
CR24KFPFV970	COMPRESSOR, CR24KF-PFV-270 (M1, M10)
CR30K6PFV960	COMPRESSOR, CR30K6-PFV-260 (M2, M11)
CR35K6PFV960	COMPRESSOR, CR35K6-PFV-260 (M3, M12)
CR35K6TF5960	COMPRESSOR, CR35K6-TF5-260 (M4, M13)
CR38K6PFV960	COMPRESSOR, CR38K6-PFV-260 (M5, M14)
CR42K6PFV960	COMPRESSOR, CR42K6-PFV-260 (M6, M15)
CR42K6TF5960	COMPRESSOR, CR42K6-TF5-260 (M7, M16)
ZR54K3PFV930	COMPRESSOR, ZR54K3-PFV-230, OLD PN# B9266349 (M8, M17)
ZR54K3TF5930	COMPRESSOR, ZR54K3-TF5-230, OLD PN# B9266350 (M9, M18)
B1226008S	DEFROST CONTROL
B1370803	DEFROST THERMOSTAT
B1314461	EVAP. FLOWRATOR, 12" .061 PISTON (M1, M10)
B1314468	EVAP. FLOWRATOR, 12" .068 PISTON (M2, M11)
B2114874	EVAP. FLOWRATOR, 12" .074 PISTON (M3, M4, M12, M13)
B2114880	EVAP. FLOWRATOR, 21" .080 PISTON (M5, M14)
B2114882	EVAP. FLOWRATOR, 21" .082 PISTON (M6, M7, M15, M16)
B2114892	EVAP. FLOWRATOR, 21" .092 PISTON (M8, M9, M17, M18)
1262816	EVAP. SERVICE COIL W/FILTER DRIER (M6, M7, M8, M9, M15, M16, M17, M18)
1262815	EVAP. SERVICE COIL W/FILTER DRIER (M5, M14)
1262812	EVAP. SERVICE COIL W/FILTER DRIER (M1, M10)
1262813	EVAP. SERVICE COIL W/FILTER DRIER (M2, M11)
1262814	EVAP. SERVICE COIL W/FILTER DRIER (M3, M4, M12, M13)
B1086756S	FAN, CONDENSER 18", 28°, 3 BLADE (M1, M2, M10, M11)
B1086750S	FAN, CONDENSER 22", 24°, 3 BLADE (M3, M4, M5, M12, M13, M14)
B1086748S	FAN, CONDENSER 22", 30°, 3 BLADE (M6, M7, M8, M9, M15, M16, M17, M18)
B1219204	FILTER DRIER,BI-FLOW,STEEL
B1314347	FLOWRATOR, 12" .047 PISTON, CONDENSER (M1, M10)
B1314359	FLOWRATOR, 12" .059 PISTON, CONDENSER (M2, M11)
B1314468	FLOWRATOR, 12" .068 PISTON, CONDENSER (M3, M4, M12, M13)
B2114676	FLOWRATOR, 21" .076 PISTON, CONDENSER (M5, M6, M7, M14, M15, M16)
B1360719	LOW PRESSURE SWITCH (OPEN 7 PSIG, CLOSE 25 PSIG)
B13400248	MOTOR, COND. FAN 1/3 HP, 230V, 1075 RPM (M6, M7, M8, M9, M15, M16, M17, M18)
B13400247	MOTOR, COND. FAN 1/4 HP, 230V, 1075 RPM (M3, M4, M5, M12, M13, M14)
B13400251	MOTOR, COND. FAN 1/6 HP, 230V, 1075 RPM (M1, M2, M10, M11)
B13400353	MOTOR, EVAP., 1/2 HP,230V,1075, 2 SPD (M5, M6, M7, M14, M15, M16)
B13400312	MOTOR, EVAP., 1/3 HP,230V,1075, 2 SPD (M3, M4, M12, M13)
11091207	MOTOR, EVAP., 1/3 HP,230V,970 RPM, 2 SPD (M1, M10)
11091202	MOTOR, EVAP., 1/4 HP,230V,970 RPM, 2 SPD (M2, M11)

Functional Parts

Part

No: Description:

B13400207S	MOTOR, EVAP., 3/4 HP,230V,1075, 2 SPD (M8, M9, M17, M18)
B1370735S	RELAY, BLOWER TIME DELAY (CIRCUIT BOARD)
B1227317S	REVERSING VALVE (M5, M6, M7, M8, M9, M14, M15, M16, M17, M18)
B1227316S	REVERSING VALVE (M3, M4, M12, M13)
B1227314S	REVERSING VALVE (M1, M2, M10, M11)
B1141643	TRANSFORMER 208/230 TO 24V,40VA

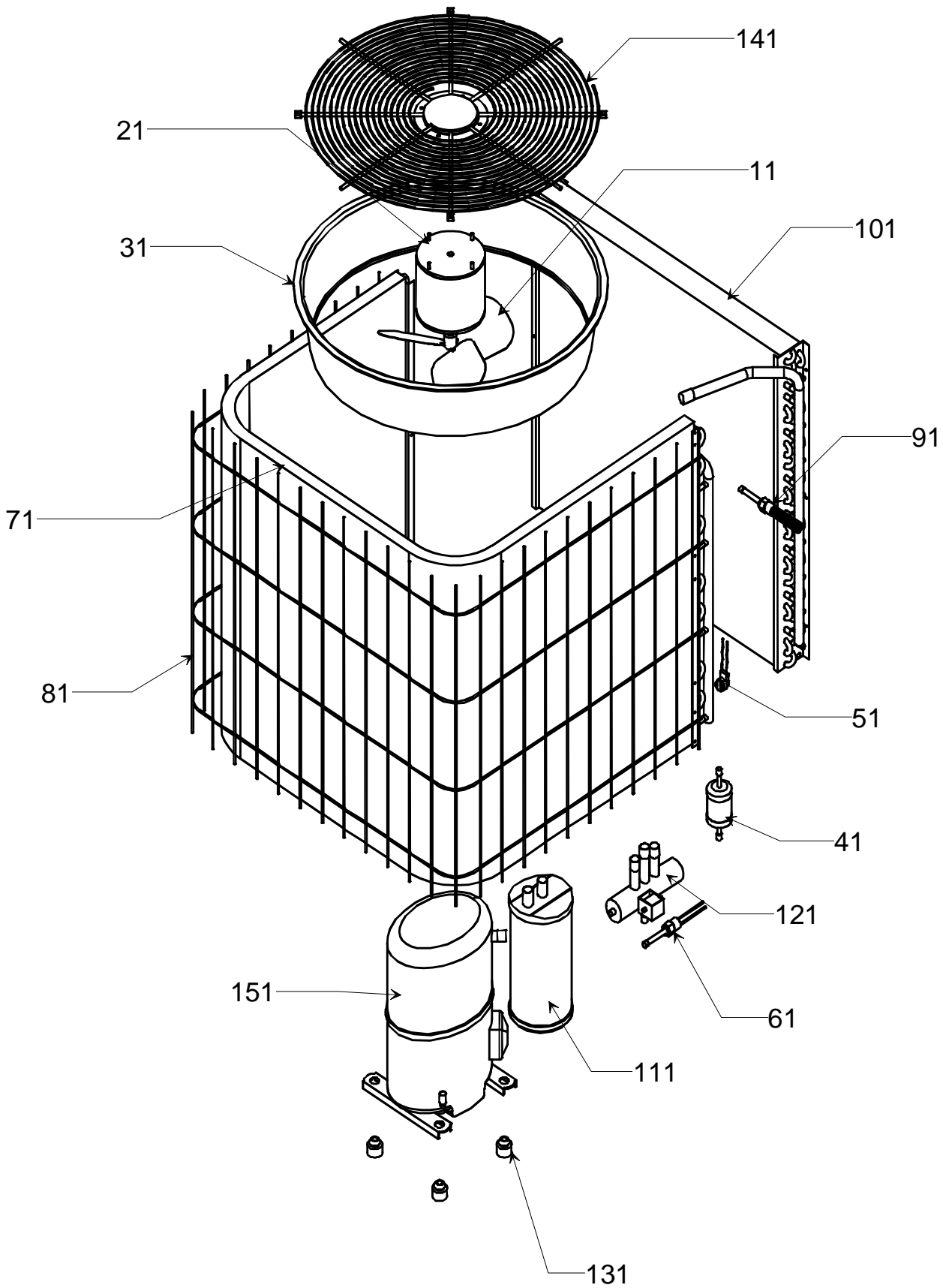
SPECIAL PARTS

IO-589	INSTALLATION AND OPERATING INSTRUCTIONS
RP-325	REPAIR PARTS MANUAL
SS-238	SPECIFICATION SHEET
B260S8292	SPRAY PAINT DARK GRAY

Expanded Model Nomenclature

M1 - PHK024-1B
M2 - PHK030-1B
M3 - PHK036-1B
M4 - PHK036-3B
M5 - PHK042-1B
M6 - PHK048-1B
M7 - PHK048-3B
M8 - PHK060-1B
M9 - PHK060-3B
M10 - PHK024-1F
M11 - PHK030-1F
M12 - PHK036-1F
M13 - PHK036-3F
M14 - PHK042-1F
M15 - PHK048-1F
M16 - PHK048-3F
M17 - PHK060-1F
M18 - PHK060-3F

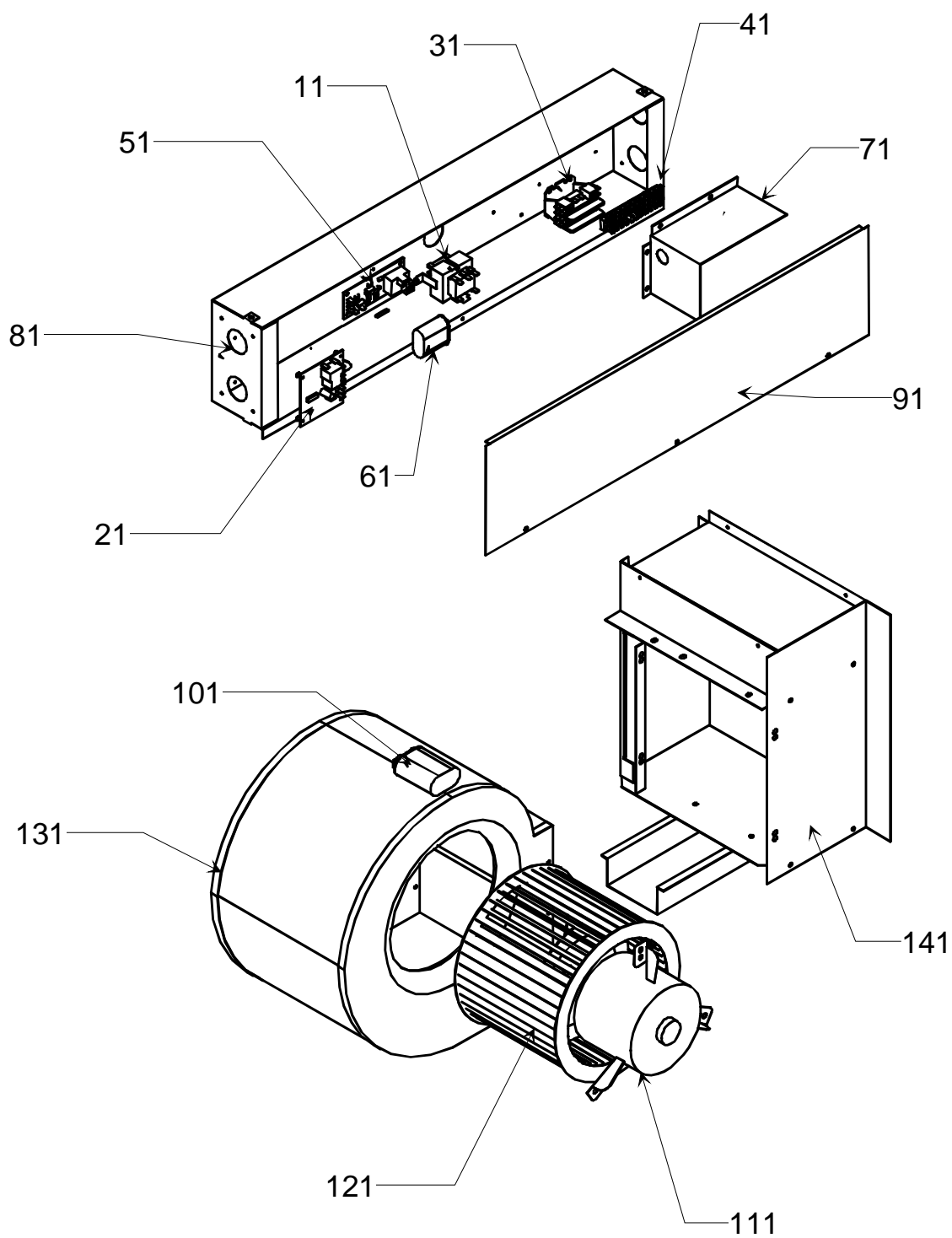
Outdoor Motor, Coil, and Compressor



Outdoor Motor, Coil, and Compressor

Ref. Part No:	No:	Description:	Ref. Part No:	No:	Description:
<i>Image 1:</i>			131	B1339530	GROMMET, COMPRESSOR QTY 4 (M1, M2, M3, M4, M5, M6, M7, M10, M11, M12, M13, M14, M15, M16)
11	B1086756S	FAN, CONDENSER 18", 28°, 3 BLADE (M1, M2, M10, M11)	141	B1376915	FAN GRILLE GUARD, 18" (M1, M2, M10, M11)
11	B1086750S	FAN, CONDENSER 22", 24°, 3 BLADE (M3, M4, M5, M12, M13, M14)	141	B1376923	FAN GRILLE GUARD, 22" (M3, M4, M5, M6, M7, M8, M9, M12, M13, M14, M15, M16, M17, M18)
11	B1086748S	FAN, CONDENSER 22", 30°, 3 BLADE (M6, M7, M8, M9, M15, M16, M17, M18)	151	CR24KPFV970	COMPRESSOR, CR24KF-PFV-270 (M1, M10)
21	B13400248	MOTOR, COND. FAN 1/3 HP, 230V, 1075 RPM (M6, M7, M8, M9, M15, M16, M17, M18)	151	CR30K6PFV960	COMPRESSOR, CR30K6-PFV-260 (M2, M11)
21	B13400247	MOTOR, COND. FAN 1/4 HP, 230V, 1075 RPM (M3, M4, M5, M12, M13, M14)	151	CR35K6TF5960	COMPRESSOR, CR35K6-TF5-260 (M3, M12)
21	B13400251	MOTOR, COND. FAN 1/6 HP, 230V, 1075 RPM (M1, M2, M10, M11)	151	CR35K6PFV960	COMPRESSOR, CR35K6-PFV-260 (M4, M13)
31	B1787825	VENTURI RING (M3, M4, M5, M6, M7, M8, M9, M12, M13, M14, M15, M16, M17, M18)	151	CR38K6PFV960	COMPRESSOR, CR38K6-PFV-260 (M5, M14)
41	B1219204	FILTER DRIER, BI-FLOW, STEEL	151	CR42K6PFV960	COMPRESSOR, CR42K6-PFV-260 (M6, M15)
51	B1370803	DEFROST THERMOSTAT	151	CR42K6TF5960	COMPRESSOR, CR42K6-TF5-260 (M7, M16)
61	B1314347	FLOWRATOR, 12" .047 PISTON, CONDENSER (M1, M10)	151	ZR54K3PFV930	COMPRESSOR, ZR54K3-PFV-230, OLD PN# B9266349 (M8, M17)
61	B1314359	FLOWRATOR, 12" .059 PISTON, CONDENSER (M2, M11)	151	ZR54K3TF5930	COMPRESSOR, ZR54K3-TF5-230, OLD PN# B9266350 (M9, M18)
61	B1314468	FLOWRATOR, 12" .068 PISTON, CONDENSER (M3, M4, M12, M13)	Expanded Model Nomenclature M1 - PHK024-1B M2 - PHK030-1B M3 - PHK036-1B M4 - PHK036-3B M5 - PHK042-1B M6 - PHK048-1B M7 - PHK048-3B M8 - PHK060-1B M9 - PHK060-3B M10 - PHK024-1F M11 - PHK030-1F M12 - PHK036-1F M13 - PHK036-3F M14 - PHK042-1F M15 - PHK048-1F M16 - PHK048-3F M17 - PHK060-1F M18 - PHK060-3F		
61	B2114676	FLOWRATOR, 21" .076 PISTON, CONDENSER (M5, M6, M7, M14, M15, M16)			
61	B2114692	FLOWRATOR, 21" .092 PISTON, CONDENSER (M8, M9, M17, M18)			
71	1262711	CRATED SERVICE COIL W/FILTER DRIER (M5, M6, M7, M8, M9, M14, M15, M16, M17, M18)			
71	1262714	CRATED SERVICE COIL W/FILTER DRIER (M1, M2, M10, M11)			
71	1262716	CRATED SERVICE COIL W/FILTER DRIER (M3, M4, M12, M13)			
81	B1259725	FORMED COND. INLET GRILLE, 25" (M1, M2, M10, M11)			
81	B1259726	FORMED COND. INLET GRILLE, 27.5" (M3, M4, M12, M13)			
81	B1259727	FORMED COND. INLET GRILLE, 32.5" (M5, M6, M7, M8, M9, M14, M15, M16, M17, M18)			
91	B1314461	EVAP. FLOWRATOR, 12" .061 PISTON (M1, M10)			
91	B1314468	EVAP. FLOWRATOR, 12" .068 PISTON (M2, M11)			
91	B2114874	EVAP. FLOWRATOR, 12" .074 PISTON (M3, M4, M12, M13)			
91	B2114880	EVAP. FLOWRATOR, 21" .080 PISTON (M5, M14)			
91	B2114882	EVAP. FLOWRATOR, 21" .082 PISTON (M6, M7, M15, M16)			
91	B2114892	EVAP. FLOWRATOR, 21" .092 PISTON (M8, M9, M17, M18)			
101	1262812	EVAP. SERVICE COIL W/FILTER DRIER (M1, M10)			
101	1262813	EVAP. SERVICE COIL W/FILTER DRIER (M2, M11)			
101	1262814	EVAP. SERVICE COIL W/FILTER DRIER (M3, M4, M12, M13)			
101	1262815	EVAP. SERVICE COIL W/FILTER DRIER (M5, M14)			
101	1262816	EVAP. SERVICE COIL W/FILTER DRIER (M6, M7, M8, M9, M15, M16, M17, M18)			
111	B1226206	ACCUMULATOR, 3/4" (M3, M4, M12, M13)			
111	B1226205	ACCUMULATOR, 5/8" (M1, M2, M10, M11)			
111	B1226207	ACCUMULATOR, 7/8" (M5, M6, M7, M8, M9, M14, M15, M16, M17, M18)			
121	B1227314S	REVERSING VALVE (M1, M2, M10, M11)			
121	B1227316S	REVERSING VALVE (M3, M4, M12, M13)			
121	B1227317S	REVERSING VALVE (M5, M6, M7, M8, M9, M14, M15, M16, M17, M18)			
131	B1339530	GROMMET, COMPRESSOR QTY 4 (M1, M2, M3, M4, M5, M6, M7, M10, M11, M12, M13, M14, M15, M16)			

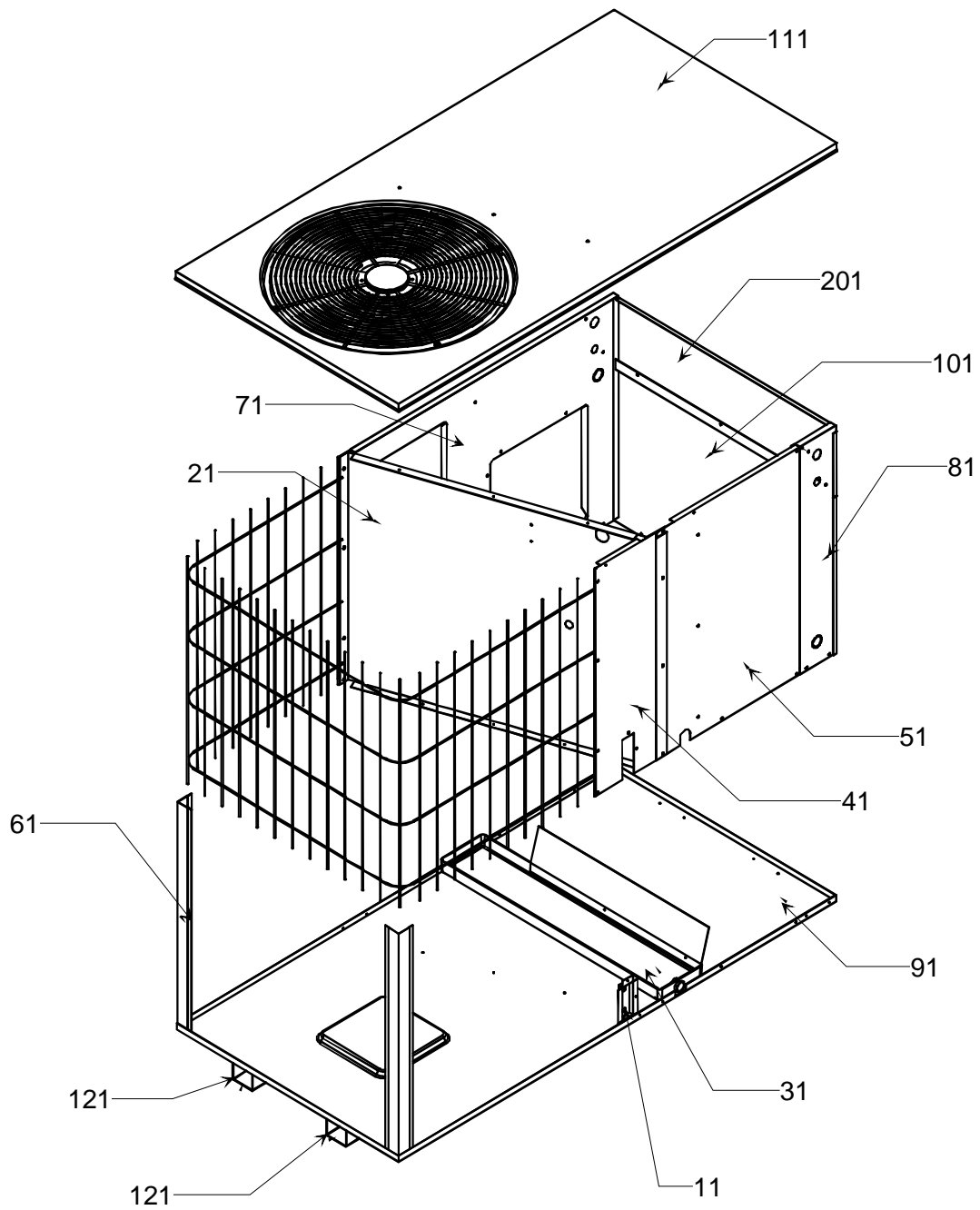
Control Box and Indoor Blower Assembly



Control Box and Indoor Blower Assembly

Ref. Part No:	No:	Description:	Ref. Part No:	No:	Description:
<i>Image 1:</i>			Expanded Model Nomenclature		
11	B1141643	TRANSFORMER 208/230 TO 24V,40VA	M1	-	PHK024-1B
21	B1226008S	DEFROST CONTROL	M2	-	PHK030-1B
31	B1360300	CONTACTOR,25 AMP,24V,2 POLE (M1, M2, M3, M5, M10, M11, M12, M14)	M3	-	PHK036-1B
31	B1360315	CONTACTOR,35 AMP,24V,3 POLE (M4, M7, M9, M13, M16, M18)	M4	-	PHK036-3B
31	B1360305	CONTACTOR,40 AMP,24V,2 POLE (M6, M8, M15, M17)	M5	-	PHK042-1B
41	B1368248	TERMINAL BLOCK, LOW VOLTAGE	M6	-	PHK048-1B
51	B1370735S	RELAY, BLOWER TIME DELAY (CIRCUIT BOARD)	M7	-	PHK048-3B
61	B94575300	CAPACITOR 35/5/370 (M1, M2, M10, M11)	M8	-	PHK060-1B
61	B94575500	CAPACITOR 40/5/370 (M3, M12)	M9	-	PHK060-3B
61	B94575600	CAPACITOR 40/5/440 (M5, M6, M14, M15)	M10	-	PHK024-1F
61	B945650	CAPACITOR 5/370 (M4, M7, M9, M13, M16, M18)	M11	-	PHK030-1F
61	B94577600S	CAPACITOR 80/5/370 (M8, M17)	M12	-	PHK036-1F
71	4187604	LOW VOLTAGE BARRIER	M13	-	PHK036-3F
81	4187611	CONTROL BOX ASM., MED/LRG (M3, M4, M5, M6, M7, M8, M9, M12, M13, M14, M15, M16, M17, M18)	M14	-	PHK042-1F
81	4187610	CONTROL BOX ASM., SMALL (M1, M2, M10, M11)	M15	-	PHK048-1F
91	4187601	COVER, CONTROL BOX (M1, M2, M10, M11)	M16	-	PHK048-3F
91	4187603	COVER, CONTROL BOX (M3, M4, M5, M6, M7, M8, M9, M12, M13, M14, M15, M16, M17, M18)	M17	-	PHK060-1F
101	B945652	CAPACITOR 10/370 (M1, M2, M10, M11)	M18	-	PHK060-3F
101	B945672	CAPACITOR 12.5/370 (M5, M6, M7, M14, M15, M16)			
101	B945653	CAPACITOR 15/370 (M8, M9, M17, M18)			
101	B945651	CAPACITOR 7.5/370 (M3, M4, M12, M13)			
111	B13400353	MOTOR, EVAP., 1/2 HP,230V,1075, 2 SPD (M5, M6, M7, M14, M15, M16)			
111	B13400312	MOTOR, EVAP., 1/3 HP,230V,1075, 2 SPD (M3, M4, M12, M13)			
111	11091207	MOTOR, EVAP., 1/3 HP,230V,970 RPM, 2 SPD (M1, M10)			
111	11091202	MOTOR, EVAP., 1/4 HP,230V,970 RPM, 2 SPD (M2, M11)			
111	B13400207S	MOTOR, EVAP., 3/4 HP,230V,1075, 2 SPD (M8, M9, M17, M18)			
121	B1368042	BLOWER WHEEL, 9 X 6 CW, 1/2 HUB (M1, M2, M10, M11)			
121	B1368036	BLOWER WHEEL, 9 X 8,CW, 1/2 HUB (M3, M4, M5, M6, M7, M12, M13, M14, M15, M16)			
121	B1368016	BLOWER WHEEL, 10 X 8,CW,1/2 HUB (M8, M9, M17, M18)			
131	10324246	BLOWER SHELL ASM. W/O CUT-OFF (M1, M2, M10, M11)			
131	10324247	BLOWER SHELL ASM. W/O CUT-OFF (M6, M7, M15, M16)			
131	10324248	BLOWER SHELL ASM. W/O CUT-OFF (M3, M4, M5, M8, M9, M12, M13, M14, M17, M18)			
141	4168100S	TRANSITION DUCT ASM., 9 X 6, MED (M1, M2, M10, M11)			
141	4168103S	TRANSITION DUCT ASM., 9 X 8, LRG (M6, M7, M15, M16)			
141	4168102S	TRANSITION DUCT ASM., 10 X 8, MED/LRG (M3, M4, M5, M8, M9, M12, M13, M14, M17, M18)			
NS	B821700	CAPACITOR, RUBBER BOOT			
NS	C6121802	CUT-OFF (M1, M2, M10, M11)			
NS	C6121810	CUT-OFF (M3, M4, M5, M6, M7, M8, M9, M12, M13, M14, M15, M16, M17, M18)			
NS	B1376853	MOTOR MOUNT ARMS, QTY 3 (M8, M9, M17, M18)			
NS	B1376851	MOTOR MOUNT BAND (M8, M9, M17, M18)			

Cabinet Assembly



Cabinet Assembly

Ref. Part No:	Description:	Ref. Part No:	Description:
<i>Image 1:</i>		Expanded Model Nomenclature	
11	1623708	PANEL, SERVICE PORT	M1 - PHK024-1B
21	4179500	PANEL, PARTITION (M3, M4, M12, M13)	M2 - PHK030-1B
21	4179501	PANEL, PARTITION (M1, M2, M10, M11)	M3 - PHK036-1B
21	4179502	PANEL, PARTITION (M5, M6, M7, M8, M9, M14, M15, M16, M17, M18)	M4 - PHK036-3B
31	4111601S	DRAIN PAN ASM., MED/LRG (M3, M4, M5, M6, M7, M8, M9, M12, M13, M14, M15, M16, M17, M18)	M5 - PHK042-1B
31	4111600S	DRAIN PAN ASM., SMALL (M1, M2, M10, M11)	M6 - PHK048-1B
41	4123702PDG	PANEL, EVAP. & BLOWER (M3, M4, M12, M13)	M7 - PHK048-3B
41	4123709PDG	PANEL, FRONT (ONE PIECE) (M1, M2, M10, M11)	M8 - PHK060-1B
41	4123704PDG	PANEL,COND. SECTION (M3, M4, M12, M13)	M9 - PHK060-3B
41	4123711PDG	PANEL,COND. SECTION (M5, M6, M7, M8, M9, M14, M15, M16, M17, M18)	M10 - PHK024-1F
51	4123714PDG	PANEL, EVAP. & BLOWER (M5, M6, M7, M8, M9, M14, M15, M16, M17, M18)	M11 - PHK030-1F
61	4123706PDG	ANGLE SUPPORT, LARGE (QTY 2) (M5, M6, M7, M8, M9, M14, M15, M16, M17, M18)	M12 - PHK036-1F
61	4123705PDG	ANGLE SUPPORT, MED.(QTY 2) (M3, M4, M12, M13)	M13 - PHK036-3F
61	4123707PDG	ANGLE SUPPORT, SMALL (QTY 2) (M1, M2, M10, M11)	M14 - PHK042-1F
71	4123700PDG	PANEL, SQUARE DUCT (M3, M4, M12, M13)	M15 - PHK048-1F
71	4123708PDG	PANEL, SQUARE DUCT (M1, M2, M10, M11)	M16 - PHK048-3F
71	4123710PDG	PANEL, SQUARE DUCT (M5, M6, M7, M8, M9, M14, M15, M16, M17, M18)	M17 - PHK060-1F
81	4123701PDG	POST, CORNER (M3, M4, M12, M13)	M18 - PHK060-3F
81	4123713PDG	POST, CORNER (M5, M6, M7, M8, M9, M14, M15, M16, M17, M18)	
81	4123715PDG	POST, CORNER (M1, M2, M10, M11)	
91	4179100PDG	PAN, BOTTOM (M3, M4, M5, M6, M7, M8, M9, M12, M13, M14, M15, M16, M17, M18)	
91	4179101PDG	PAN, BOTTOM (M1, M2, M10, M11)	
101	4179300PDG	PANEL, BLOWER ACCESS (M3, M4, M12, M13)	
101	4179302PDG	PANEL, BLOWER ACCESS (M5, M6, M7, M8, M9, M14, M15, M16, M17, M18)	
101	4179303PDG	PANEL, BLOWER ACCESS (M1, M2, M10, M11)	
111	4179401PDG	PANEL, FAN TOP (M1, M2, M10, M11)	
111	4179405PDG	PANEL, FAN TOP (M3, M4, M5, M6, M7, M8, M9, M12, M13, M14, M15, M16, M17, M18)	
121	4179700	CHANNEL, BOTTOM PAN (QTY 2) (M3, M4, M5, M6, M7, M8, M9, M12, M13, M14, M15, M16, M17, M18)	
121	4179701	CHANNEL, BOTTOM PAN (QTY 2) (M1, M2, M10, M11)	
201	4179301PDG	PANEL, CONTROL ACCESS (M3, M4, M5, M6, M7, M8, M9, M12, M13, M14, M15, M16, M17, M18)	
201	4179304PDG	PANEL, CONTROL ACCESS (M1, M2, M10, M11)	