

## AWB36\*C Vertical Wall or Stud Mount Air Handler (Obsolete Models)

AWB18-00C  
AWB18-00C-A  
AWB18-03C  
AWB18-03C-A  
AWB24-00C  
AWB24-00C-A  
AWB24-03C  
AWB24-03C-A  
AWB30-00C  
AWB30-00C-A  
AWB30-03C  
AWB30-03C-A  
AWB36-05C  
AWB36-05C-A  
AWB36-05C-B  
AWB36-08C  
AWB36-08C-A  
AWB36-08C-B  
AWB36-10C  
AWB36-10C-A  
AWB36-10C-B



This manual is to be used by qualified technicians only.

This manual replaces RP-305A.

© 2003-2008 Goodman Manufacturing Company, L.P. ♦ 5151 San Felipe, Suite 500 ♦ Houston, TX 77056

# Important Information

---

## Index

Functional Parts List .....	3
Illustration and Parts .....	4 - 7

*Views shown are for parts illustrations only, not servicing procedures.*

Rev. B: Corrected model callouts and references.

### Text Codes:

AR - As Required

NA - Not Available

NS - Not Shown

00000000 - See Note

QTY - Quantity Example (QTY 3) (If Quantity not shown, Quantity = 1)

M - Model Example (M1) (If M Code not shown, then part is used on all Models)

### Expanded Model Nomenclature:

Example M1 - Model#1 M2 - Model#2 M3 - Model#3
---

Goodman Manufacturing Company, L.P. is not responsible for personal injury or property damage resulting from improper service. Review all service information before beginning repairs.

Warranty service must be performed by an authorized technician, using authorized factory parts. If service is required after the warranty expires, Goodman Manufacturing Company, L.P. also recommends contacting an authorized technician and using authorized factory parts.

Goodman Manufacturing Company, L.P. reserves the right to discontinue, or change at any time, specifications or designs without notice or without incurring obligations.

For assistance within the U.S.A. contact:  
Consumer Affairs Department  
Goodman Manufacturing Company, L.P.  
7401 Security Way  
Houston, Texas 77040  
877-254-4729-Telephone  
713-863-2382-Facsimile

For assistance outside the U.S.A. contact:  
International Division  
Goodman Manufacturing Company, L.P.  
7401 Security Way  
Houston, Texas 77040  
713-861-2500-Telephone  
713-863-2382-Facsimile

# Functional Parts

## Part

## No: Description:

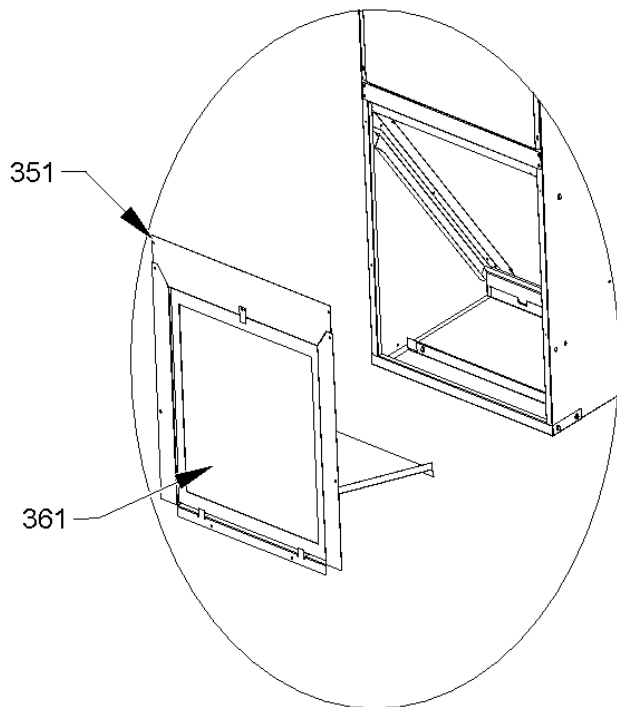
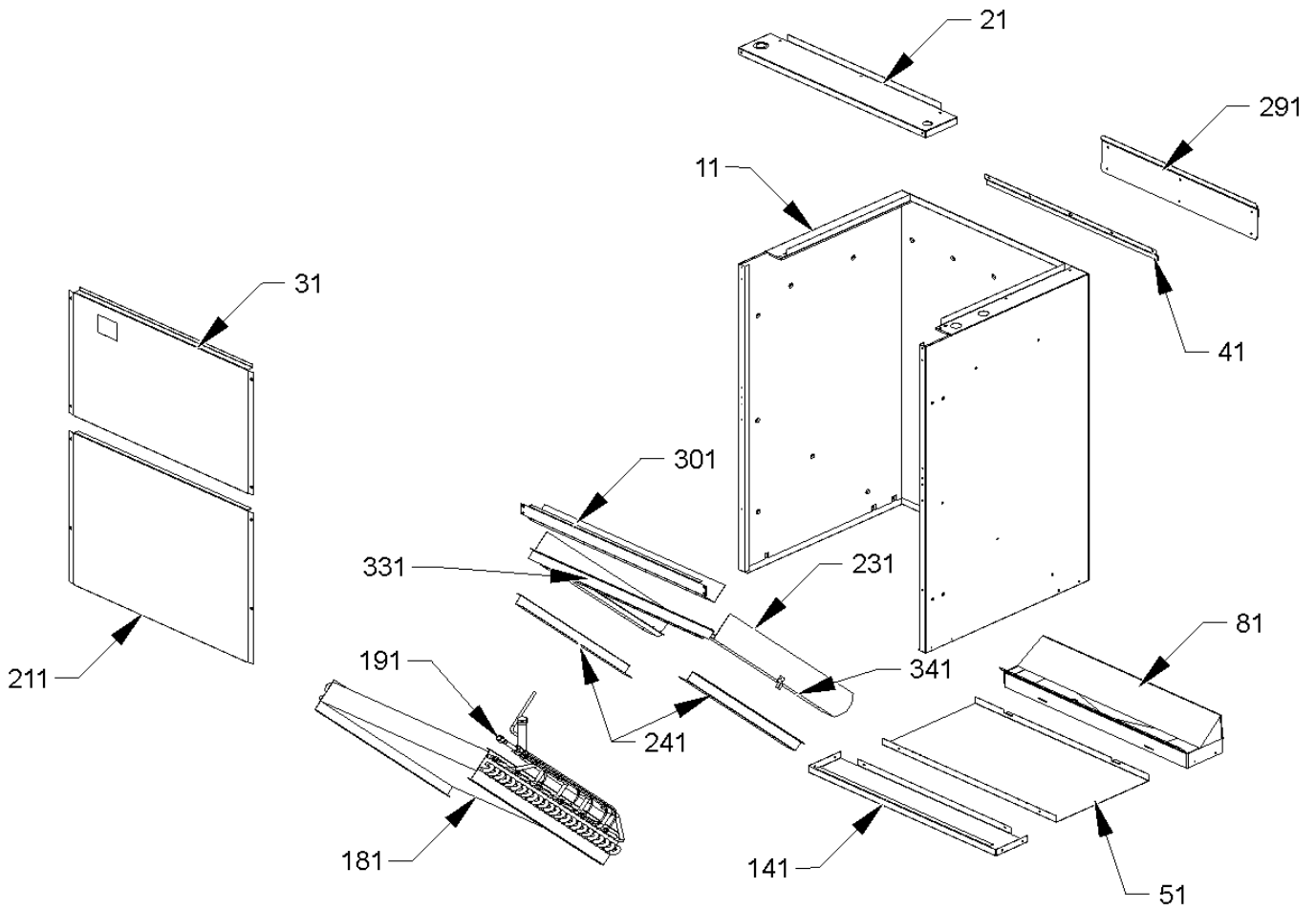
## Expanded Model Nomenclature

B1370738	24V TIME DELAY RELAY	M1 - AWB18-00C
BT1340031S	BLOWER MOTOR 1/3 HP, 2 SP, 6 PL (M9, M10, M11, M12, M14, M15, M17, M18, M20, M21)	M2 - AWB18-00C-A
BT1340027S	BLOWER MOTOR 1/3 HP, 2 SP, 6 PL (M13, M16, M19)	M3 - AWB18-03C
BT1340030S	BLOWER MOTOR 1/5 HP, 2 SP, 6 PL (M1, M2, M3, M4, M5, M6, M7, M8)	M4 - AWB18-03C-A
CAP075000370VAS	CAPACITOR 7.5/370V	M5 - AWB24-00C
BT1753500	CIRCUIT BREAKER 30 AMP (M13, M14, M15)	M6 - AWB24-00C-A
CBK2PD240VA060S	CIRCUIT BREAKER 60 AMP (M16, M17, M18, M19, M20, M21)	M7 - AWB24-03C
BT1753508	CIRCUIT BREAKER 60 AMP WITH CLIP (M1, M2, M3, M4, M5, M6, M7, M8, M9, M10, M11, M12)	M8 - AWB24-03C-A
BT1420028	HEATER ELEMENT, 3.0 KW (M3, M4, M7, M8, M11, M12)	M9 - AWB30-00C
BT1420018	HEATER ELEMENT, 4.8 KW (M13, M14, M15)	M10 - AWB30-00C-A
BT1420019	HEATER ELEMENT, 7.3 KW (M16, M17, M18)	M11 - AWB30-03C
BT1420020	HEATER ELEMENT, 9.8 KW (M19, M20, M21)	M12 - AWB30-03C-A
BT1243744	PRIMARY THERMAL OVERLOAD (M3, M4, M7, M8, M11, M12, M13, M14, M15, M16, M17, M18, M19, M20, M21)	M13 - AWB36-05C
BT1243745	SECONDARY THERMAL OVERLOAD (M3, M4, M7, M8, M11, M12, M13, M14, M15, M16, M17, M18, M19, M20, M21)	M14 - AWB36-05C-A
B1256551	SEQUENCER 5 KW (M3, M4, M7, M8, M11, M12, M13, M14, M15)	M15 - AWB36-05C-B
B1141643	TRANSFORMER 208/230, 24V	M16 - AWB36-08C
		M17 - AWB36-08C-A
		M18 - AWB36-08C-B
		M19 - AWB36-10C
		M20 - AWB36-10C-A
		M21 - AWB36-10C-B

## SPECIAL PARTS

IO-177D	INSTALLATION INSTRUCTIONS
RP-305B	REPAIR PARTS MANUAL

# Chassis and Coil Tubing Assy



# Chassis and Coil Tubing Assy

Ref. Part No:	No:	Description:	Ref. Part No:	No:	Description:																					
<i>Image 1:</i>			<i>Image 1:</i>																							
11	3770011	INSULATED ASSY, WRAPPER (M1, M2, M3, M4, M5, M6, M7, M8, M9, M10, M11, M12)	221	3701225	GUTTER RAIL, LEFT SML (M1, M2, M3, M4, M5, M6, M7, M8, M9, M10, M11, M12)																					
11	3770012	INSULATED ASSY, WRAPPER (M14, M15, M17, M18, M20, M21)	231	3701204	COIL SUPPORT RIGHT (M13, M14, M16, M17, M19, M20)																					
11	3770003	INSULATED ASSY, WRAPPER [OBSOLETE] (M13, M16, M19)	231	3701231	GUTTER RAIL, RIGHT LRG (M15, M18, M21)																					
21	3770004	INSULATED ASSY, TOP PANEL (M13, M16, M19)	231	3701224	GUTTER RAIL, RIGHT SML (M1, M2, M3, M4, M5, M6, M7, M8, M9, M10, M11, M12)																					
21	3770013	INSULATED ASSY, TOP PANEL (M1, M2, M3, M4, M5, M6, M7, M8, M9, M10, M11, M12)	241	3701202	FILTER SUPPORT (QTY 2) (M13, M14, M15, M16, M17, M18, M19, M20, M21)																					
21	3770014	INSULATED ASSY, TOP PANEL (M14, M15, M17, M18, M20, M21)	291	3702800	HANGING BRACKET, FIELD																					
31	3770015	INSULATED ASSY, FRONT ACCESS PANEL (M1, M2, M3, M4, M5, M6, M7, M8, M9, M10, M11, M12)	301	3702300	CENTER TIE PLATE (M13, M14, M15, M16, M17, M18, M19, M20, M21)																					
31	3770016	INSULATED ASSY, FRONT ACCESS PANEL (M13, M14, M15, M16, M17, M18, M19, M20, M21)	301	3702302	CENTER TIE PLATE SML (M1, M2, M3, M4, M5, M6, M7, M8, M9, M10, M11, M12)																					
41	3702500	HANGING BRACKET LRG (M13, M14, M15, M16, M17, M18, M19, M20, M21)	331	3701803	FILTER OFFSET BRACKET (M13, M14, M15, M16, M17, M18, M19, M20, M21)																					
41	3702501	HANGING BRACKET SML (M1, M2, M3, M4, M5, M6, M7, M8, M9, M10, M11, M12)	331	3701802	FILTER OFFSET BRACKET SML (M1, M2, M3, M4, M5, M6, M7, M8, M9, M10, M11, M12)																					
51	3770021	INSULATED ASSY, DRAIN ACCESS PANEL (M1, M2, M3, M4, M5, M6, M7, M8, M9, M10, M11, M12)	341	3701805	OFFSET BRACKET																					
51	3770022	INSULATED ASSY, DRAIN ACCESS PANEL (M13, M14, M15, M16, M17, M18, M19, M20, M21)	351	DSK-03	DRIP SHIELD KIT (M20, M21)																					
81	BT3076501	DRAIN PAN LRG (M13, M14, M15, M16, M17, M18, M19, M20, M21)	361	BT1369606	AIR FILTER 16 X 20 X 1 (M20, M21)																					
81	BT3076500	DRAIN PAN SML (M1, M2, M3, M4, M5, M6, M7, M8, M9, M10, M11, M12)	<b>Expanded Model Nomenclature</b>																							
81	3770028	LARGE DRAIN PAN ASSY (M13, M14, M15, M16, M17, M18, M19, M20, M21)	<table border="1"> <tr><td>M1 - AWB18-00C</td></tr> <tr><td>M2 - AWB18-00C-A</td></tr> <tr><td>M3 - AWB18-03C</td></tr> <tr><td>M4 - AWB18-03C-A</td></tr> <tr><td>M5 - AWB24-00C</td></tr> <tr><td>M6 - AWB24-00C-A</td></tr> <tr><td>M7 - AWB24-03C</td></tr> <tr><td>M8 - AWB24-03C-A</td></tr> <tr><td>M9 - AWB30-00C</td></tr> <tr><td>M10 - AWB30-00C-A</td></tr> <tr><td>M11 - AWB30-03C</td></tr> <tr><td>M12 - AWB30-03C-A</td></tr> <tr><td>M13 - AWB36-05C</td></tr> <tr><td>M14 - AWB36-05C-A</td></tr> <tr><td>M15 - AWB36-05C-B</td></tr> <tr><td>M16 - AWB36-08C</td></tr> <tr><td>M17 - AWB36-08C-A</td></tr> <tr><td>M18 - AWB36-08C-B</td></tr> <tr><td>M19 - AWB36-10C</td></tr> <tr><td>M20 - AWB36-10C-A</td></tr> <tr><td>M21 - AWB36-10C-B</td></tr> </table>			M1 - AWB18-00C	M2 - AWB18-00C-A	M3 - AWB18-03C	M4 - AWB18-03C-A	M5 - AWB24-00C	M6 - AWB24-00C-A	M7 - AWB24-03C	M8 - AWB24-03C-A	M9 - AWB30-00C	M10 - AWB30-00C-A	M11 - AWB30-03C	M12 - AWB30-03C-A	M13 - AWB36-05C	M14 - AWB36-05C-A	M15 - AWB36-05C-B	M16 - AWB36-08C	M17 - AWB36-08C-A	M18 - AWB36-08C-B	M19 - AWB36-10C	M20 - AWB36-10C-A	M21 - AWB36-10C-B
M1 - AWB18-00C																										
M2 - AWB18-00C-A																										
M3 - AWB18-03C																										
M4 - AWB18-03C-A																										
M5 - AWB24-00C																										
M6 - AWB24-00C-A																										
M7 - AWB24-03C																										
M8 - AWB24-03C-A																										
M9 - AWB30-00C																										
M10 - AWB30-00C-A																										
M11 - AWB30-03C																										
M12 - AWB30-03C-A																										
M13 - AWB36-05C																										
M14 - AWB36-05C-A																										
M15 - AWB36-05C-B																										
M16 - AWB36-08C																										
M17 - AWB36-08C-A																										
M18 - AWB36-08C-B																										
M19 - AWB36-10C																										
M20 - AWB36-10C-A																										
M21 - AWB36-10C-B																										
81	3770027	SMALL DRAIN PAN ASSY (M1, M2, M3, M4, M5, M6, M7, M8, M9, M10, M11, M12)																								
141	3770017	INSULATED ASSY, BOTTOM TIE PANEL (M1, M2, M3, M4, M5, M6, M7, M8, M9, M10, M11, M12)																								
141	3770018	INSULATED ASSY, BOTTOM TIE PANEL (M13, M14, M15, M16, M17, M18, M19, M20, M21)																								
181	3796003S	TUBING ASSY, EVAP COIL (M13, M16, M19)																								
181	3796006S	TUBING ASSY, EVAP COIL (M1, M2, M3, M4)																								
181	3796007S	TUBING ASSY, EVAP COIL (M5, M6, M7, M8)																								
181	3796008S	TUBING ASSY, EVAP COIL (M9, M10, M11, M12)																								
181	3796009S	TUBING ASSY, EVAP COIL (M14, M15, M17, M18, M20, M21)																								
191	BT1369003	FLOWRATOR .003 (M13, M16, M19)																								
191	BT1369008	FLOWRATOR .008 (M1, M2, M3, M4)																								
191	BT1369009	FLOWRATOR .009 (M5, M6, M7, M8)																								
191	BT1369010	FLOWRATOR .010 (M9, M10, M11, M12)																								
191	BT1369011	FLOWRATOR .011 (M14, M15, M17, M18, M20, M21)																								
211	3770019	INSULATED ASSY, LOWER FRONT PANEL (M1, M2, M3, M4, M5, M6, M7, M8, M9, M10, M11, M12)																								
211	3770020	INSULATED ASSY, LOWER FRONT PANEL (M13, M14, M15, M16, M17, M18, M19, M20, M21)																								
221	3701205	COIL SUPPORT LEFT (M13, M14, M16, M17, M19, M20)																								
221	3701232	GUTTER RAIL, LEFT LRG (M15, M18, M21)																								

# Blower and Heater Assemblies

Image 1

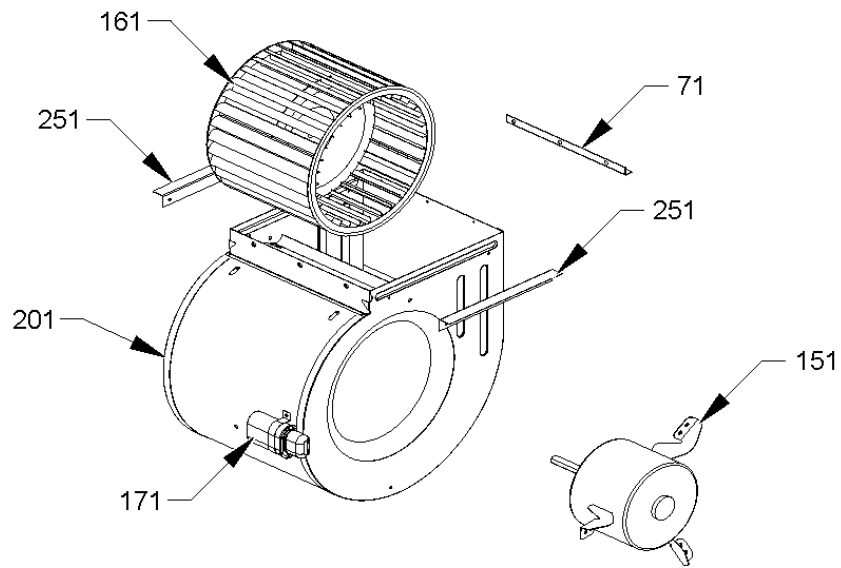
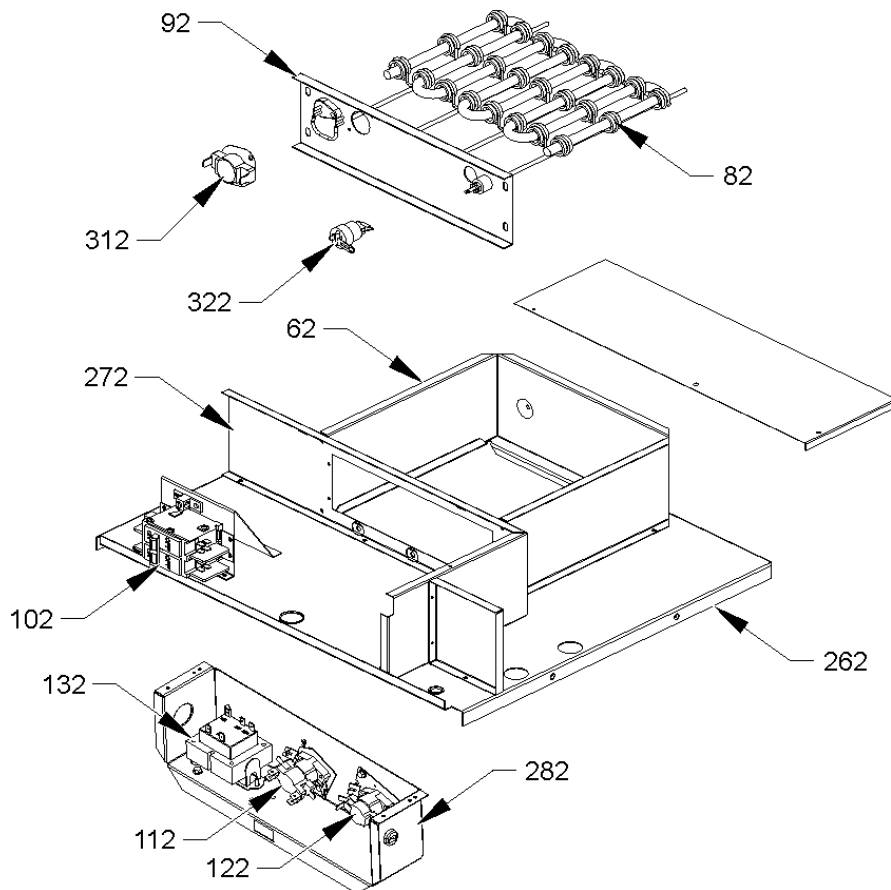


Image 2



# Blower and Heater Assemblies

Ref. Part No:	No:	Description:	Ref. Part No:	No:	Description:			
<i>Image 1:</i>			<i>Image 2:</i>					
71	3702705	BLOWER ANGLE 10" (M14, M15, M17, M18, M20, M21)	272	3700807	HEATER MOUNTING PANEL (M14, M15, M17, M18, M20, M21)			
71	3702700	BLOWER ANGLE 9" (M1, M2, M3, M4, M5, M6, M7, M8, M9, M10, M11, M12, M13, M16, M19)	282	0121A00044	ELECTRICAL JUNCTION BOX (M2, M4, M6, M8, M10, M12)			
151	BT1340027S	BLOWER MOTOR 1/3 HP, 2 SP, 6 PL (M13, M16, M19)	282	3700803	ELECTRICAL JUNCTION BOX (M13, M16, M19)			
151	BT1340031S	BLOWER MOTOR 1/3 HP, 2 SP, 6 PL (M9, M10, M11, M12, M14, M15, M17, M18, M20, M21)	282	3700808	ELECTRICAL JUNCTION BOX (M1, M3, M5, M7, M9, M11, M14, M15, M17, M18, M20, M21)			
151	BT1340030S	BLOWER MOTOR 1/5 HP, 2 SP, 6 PL (M1, M2, M3, M4, M5, M6, M7, M8)	312	BT1243744	PRIMARY THERMAL OVERLOAD (M3, M4, M7, M8, M11, M12, M13, M14, M15, M16, M17, M18, M19, M20, M21)			
161	BT1368008S	BLOWER WHEEL 10 X 6 (M5, M6, M7, M8, M9, M10, M11, M12)	322	BT1243745	SECONDARY THERMAL OVERLOAD (M3, M4, M7, M8, M11, M12, M13, M14, M15, M16, M17, M18, M19, M20, M21)			
161	BT1368042S	BLOWER WHEEL 9 X 6 (M1, M2, M3, M4)	<b>Expanded Model Nomenclature</b> M1 - AWB18-00C M2 - AWB18-00C-A M3 - AWB18-03C M4 - AWB18-03C-A M5 - AWB24-00C M6 - AWB24-00C-A M7 - AWB24-03C M8 - AWB24-03C-A M9 - AWB30-00C M10 - AWB30-00C-A M11 - AWB30-03C M12 - AWB30-03C-A M13 - AWB36-05C M14 - AWB36-05C-A M15 - AWB36-05C-B M16 - AWB36-08C M17 - AWB36-08C-A M18 - AWB36-08C-B M19 - AWB36-10C M20 - AWB36-10C-A M21 - AWB36-10C-B					
161	B1368036S	BLOWER WHEEL 9 X 8 (M14, M15, M17, M18, M20, M21)						
161	BT1368009S	BLOWER WHEEL 9 X 8 (M13, M16, M19)						
171	CAP075000370VAS	CAPACITOR 7.5/370V						
201	3760200S	BLOWER HOUSING (M1, M2, M3, M4, M5, M6, M7, M8, M9, M10, M11, M12)						
201	3760202S	BLOWER HOUSING (M13, M14, M15, M16, M17, M18, M19, M20, M21)						
251	3702702	BLOWER ANGLE 6.063" (M1, M2, M3, M4, M5, M6, M7, M8, M9, M10, M11, M12)						
251	3702701	BLOWER ANGLE 8.531" (M13, M14, M15, M16, M17, M18, M19, M20, M21)						
<i>Image 2:</i>								
62	3701507	HEATER COLLAR (M13, M14, M15, M16, M17, M18, M19, M20, M21)						
62	3701522	HEATER COLLAR (M1, M2, M3, M4, M5, M6, M7, M8, M9, M10, M11, M12)						
82	BT1420028	HEATER ELEMENT, 3.0 KW (M3, M4, M7, M8, M11, M12)						
82	BT1420018	HEATER ELEMENT, 4.8 KW (M13, M14, M15)						
82	BT1420019	HEATER ELEMENT, 7.3 KW (M16, M17, M18)						
82	BT1420020	HEATER ELEMENT, 9.8 KW (M19, M20, M21)						
92	3701523	HEATER ELEMENT BLOCK-OFF AML (M1, M2, M5, M6, M9, M10)						
102	BT1753500	CIRCUIT BREAKER 30 AMP (M13, M14, M15)						
102	CBK2PD240VA060S	CIRCUIT BREAKER 60 AMP (M16, M17, M18, M19, M20, M21)						
102	BT1753508	CIRCUIT BREAKER 60 AMP WITH CLIP (M1, M2, M3, M4, M5, M6, M7, M8, M9, M10, M11, M12)						
112	B1256551	SEQUENCER 5 KW (M3, M4, M7, M8, M11, M12, M13, M14, M15)						
122	B1370738	24V TIME DELAY RELAY						
132	B1141643	TRANSFORMER 208/230, 24V						
262	3701002	BLOWER DECK (M13, M16, M19)						
262	3701004	BLOWER DECK (M1, M2, M3, M4, M5, M6, M7, M8, M9, M10, M11, M12)						
262	3701005	BLOWER DECK (M14, M15, M17, M18, M20, M21)						
272	3700801	HEATER MOUNTING PANEL (M2, M5, M8, M13, M16, M19)						
272	3700805	HEATER MOUNTING PANEL (M1, M2, M3, M4, M5, M6, M7, M8, M9, M10, M11, M12)						

