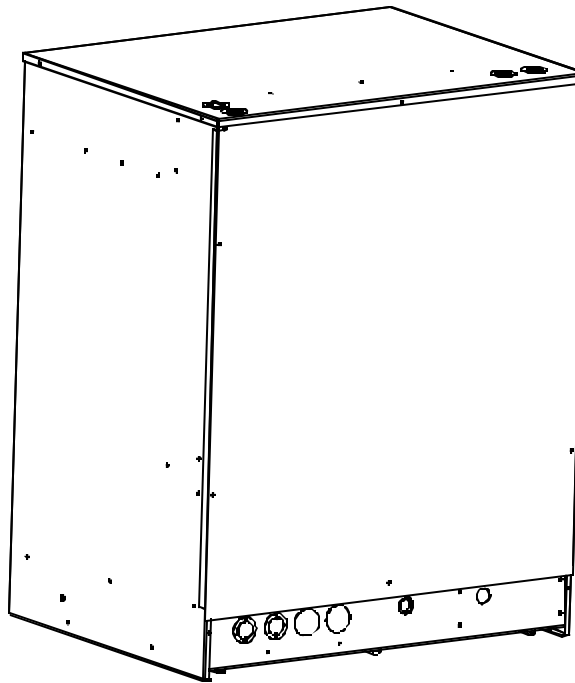




REPAIR PARTS

TWC Series Through the Wall Condenser

TWC18-1
TWC18-1A
TWC24-1
TWC24-1A
TWC24-1B
TWCR30-1
TWCR30-1A



Made in the USA by:
Goodman Manufacturing Company, L.P.
2550 North Loop West, Suite 400
Houston Texas 77092

RP - 280B
January 2005

This manual replaces RP-280A.

Important Information

Goodman Manufacturing Company, L.P. is not responsible for personal injury or property damage resulting from improper service. Review all service information before beginning repairs.

Warranty service must be performed by an authorized technician, using authorized factory parts. If service is required after the warranty expires, Goodman Manufacturing Company, L.P. also recommends contacting an authorized technician and using authorized factory parts.

For assistance within the U.S.A. contact:

Consumer Affairs Department
Goodman Manufacturing Company, L.P.
7401 Security Way
Houston, Texas 77040
877-254-4729-Telephone
713-863-2382-Facsimile

For assistance outside the U.S.A. contact:

International Division
Goodman Manufacturing Company, L.P.
7401 Security Way
Houston, Texas 77040
713-861-2500-Telephone
713-863-2382-Facsimile

Index

Functional Parts List	5
Illustration and Parts	6 - 7

Views shown are for parts illustrations only, not servicing procedures.

Revision B: Replaces old compressor numbers with new ones.

Text Codes:

AR - As Required

NA - Not Available

NS - Not Shown

00000000 - See Note

QTY - Quantity Example (QTY 3) (If Quantity not shown, Quantity = 1)

M - Model Example (M1) (If M Code not shown, then part is used on all Models)

Expanded Model Nomenclature:

Example
M1 - Model#1
M2 - Model#2
M3 - Model#3

This page left blank intentionally.

Functional Parts

Part

No: Description:

BT1368018	BLOWER WHEEL 10X8
B94578700	CAPACITOR, 30/5/370 (M1, M5)
B94575300	CAPACITOR, 35/5/370 (M2, M3, M6) REPLACEMENT CAPACITOR IS INCLUDED WITH THE COMPRPL002A KIT
B94575500	CAPACITOR, 40/5/370 (M4, M7)
CR16K6PFV960	COMPRESSOR CR16K6-PFV-260 (M1, M5) OLD PN#B9266874
COMPRPL002A	COMPRESSOR SERVICE KIT (M2) OLD PN#COMPRPL002
ZR24K4PFV930	COMPRESSOR, ZR24KC-PFV-230 (M3, M6) OLD PART# B9266395
ZR26K3PFV930	COMPRESSOR, ZR26K3-PFV-230 (M4, M7) OLD PART # B9266394
3900800H	CONTROL BOX
BT1360700	LOW PRESSURE SWITCH (M1, M2, M3, M4)

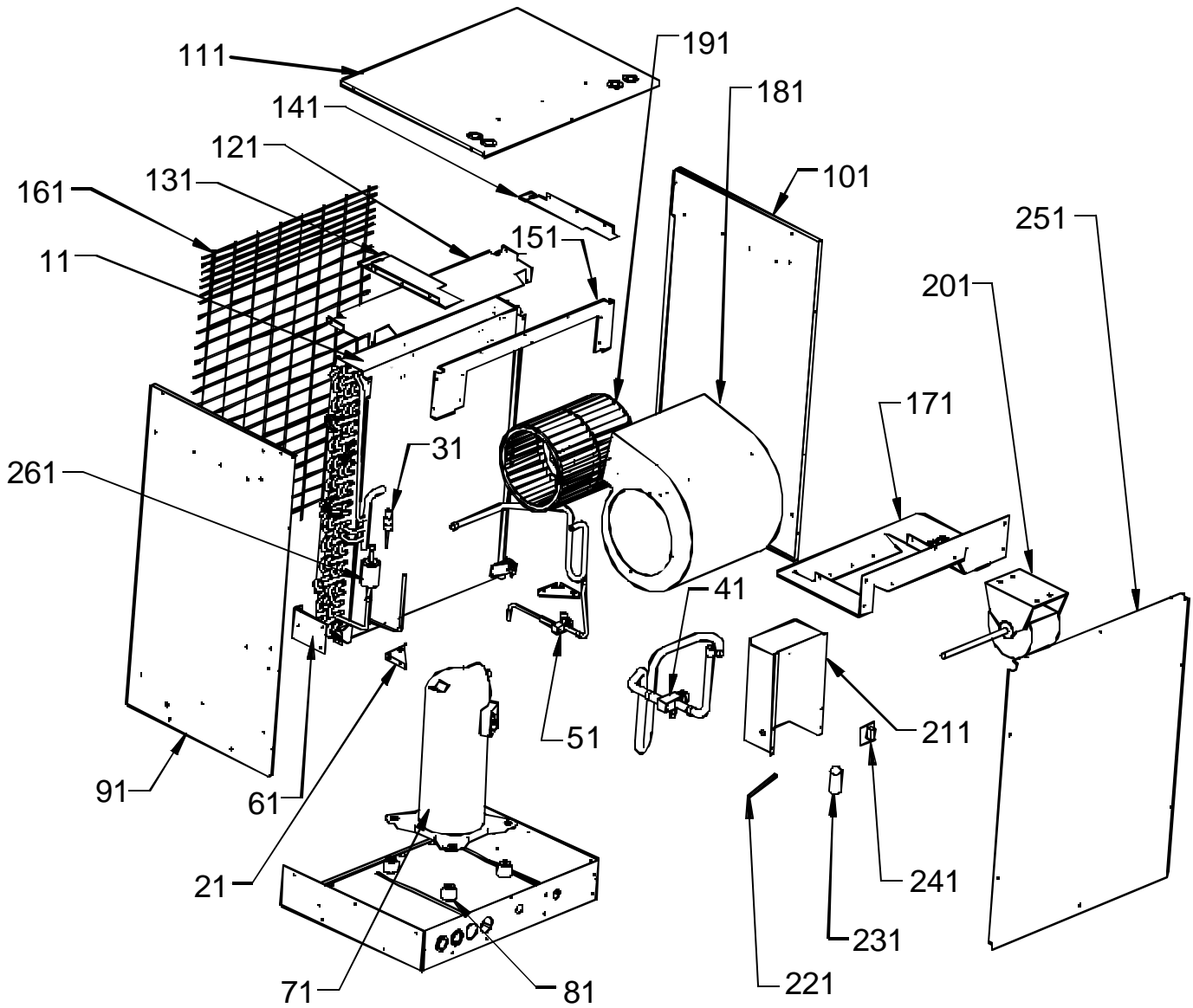
SPECIAL PARTS

RP-280	REPAIR PARTS MANUAL
SS-343	SPECIFICATION SHEET
B260S8291	SPRAY PAINT (BAHAMA BEIGE)
PW-312	WARRANTY

Expanded Model Nomenclature

M1 - TWC18-1
M2 - TWC24-1
M3 - TWC24-1A
M4 - TWCR30-1
M5 - TWC18-1A
M6 - TWC24-1B
M7 - TWCR30-1A

TWC: THROUGH THE WALL CONDENSER



TWC: THROUGH THE WALL CONDENSER

Ref. Part No:	Part No:	Description:	Ref. Part No:	Part No:	Description:
---------------	----------	--------------	---------------	----------	--------------

Image 1:

11	CRK-01	KIT, CONDENSER REPLACEMENT (M2, M3, M4, M6, M7)
11	CRK-02	KIT, CONDENSER REPLACEMENT (M1, M5)
21	3900901H	BRKT., LOWER COIL MTG. (QTY 2)
31	BT1360700	LOW PRESSURE SWITCH (M1, M2, M3, M4)
41	B1282566	SERVICE VALVE 3/4"
51	B1282571	SERVICE VALVE 3/8"
61	3900900H	BRKT., SERVICE VALVE
71	CR16K6PFV960	COMPRESSOR CR16K6-PFV-260 (M1, M5) OLD PN#B9266874
71	COMPRPL002A	COMPRESSOR SERVICE KIT (M2) OLD PN#COMPRPL002
71	ZR24K4PFV930	COMPRESSOR, ZR24KC-PFV-230 (M3, M6) OLD PART# B9266395
71	ZR26K3PFV930	COMPRESSOR, ZR26K3-PFV-230 (M4, M7) OLD PART # B9266394
81	B1339530	COMPRESSOR GROMMET (QTY 4)
91	3902001PH	WRAPPER, LEFT SIDE
101	3902002PH	WRAPPER, RIGHT SIDE
111	3902000PH	WRAPPER, TOP
121	3901005H	BLOWER DECK, REAR
131	3901004H	BLOWER DECK, LEFT
141	3901003H	BLOWER DECK, RIGHT
151	3901002H	BLOWER DECK, FRONT
161	BT3975200	WIRE GRILL
171	3901201H	MOTOR DECK
181	BT3939400	BLOWER HOUSING
191	BT1368018	BLOWER WHEEL 10X8
201	BT1340032	MOTOR 1/4 HP
211	3900800H	CONTROL BOX
221	3084801	CAPACITOR STRAP
231	B94578700	CAPACITOR, 30/5/370 (M1, M5)
231	B94575300	CAPACITOR, 35/5/370 (M2, M3, M6) REPLACEMENT CAPACITOR IS INCLUDED WITH THE COMPRPL002A KIT
231	B94575500	CAPACITOR, 40/5/370 (M4, M7)
241	B1360300	CONTACTOR
251	3901500PH	FRONT PANEL
261	B1219212	FILTER DRIER

Expanded Model Nomenclature

M1 - TWC18-1
M2 - TWC24-1
M3 - TWC24-1A
M4 - TWCR30-1
M5 - TWC18-1A
M6 - TWC24-1B
M7 - TWCR30-1A