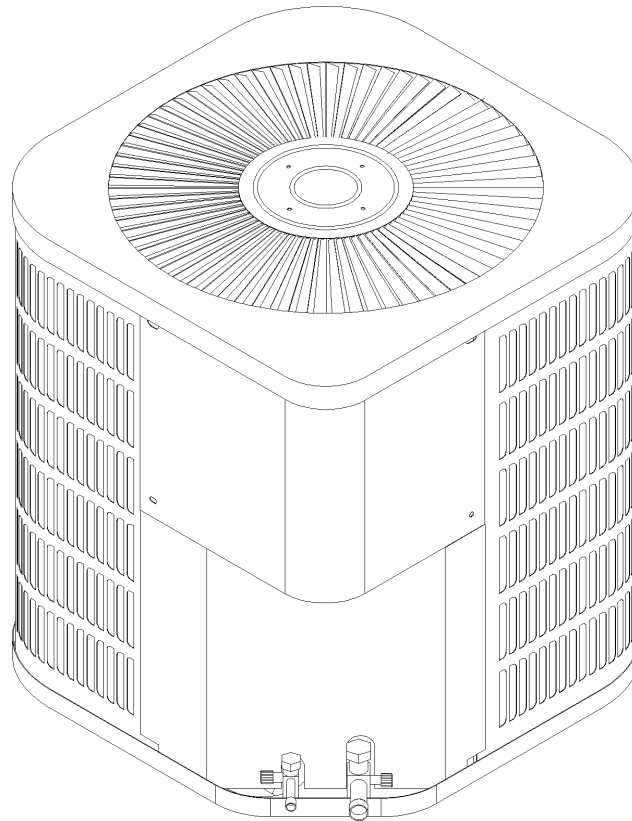




REPAIR PARTS

CRT Condensing Units

CRT18-1
CRT24-1
CRT24-1A
CRT30-1
CRT36-1
CRT36-1A
CRT42-1
CRT48-1
CRT60-1



Goodman Manufacturing Company, L.P.
2550 North Loop West, Suite 400
Houston Texas 77092

www.goodmanmfg.com

RP-338D
March 2007

Important Information

Index

Functional Parts List	3
Illustration and Parts	4 - 7

Views shown are for parts illustrations only, not servicing procedures

Rev. D: Corrected cond assy part numbers.

Text Codes:

AR - As Required

NA - Not Available

NS - Not Shown

00000000 - See Note

QTY - Quantity Example (QTY 3) (If Quantity not shown, Quantity = 1)

M - Model Example (M1) (If M Code not shown, then part is used on all Models)

Expanded Model Nomenclature:

Example M1 - Model#1 M2 - Model#2 M3 - Model#3

Goodman Manufacturing Company, L.P. is not responsible for personal injury or property damage resulting from improper service. Review all service information before beginning repairs.

Warranty service must be performed by an authorized technician, using authorized factory parts. If service is required after the warranty expires, Goodman Manufacturing Company, L.P. also recommends contacting an authorized technician and using authorized factory parts.

Goodman Manufacturing Company, L.P. reserves the right to discontinue, or change at any time, specifications or designs without notice or without incurring obligations.

For assistance within the U.S.A. contact:
Consumer Affairs Department
Goodman Manufacturing Company, L.P.
7401 Security Way
Houston, Texas 77040
877-254-4729-Telephone
713-863-2382-Facsimile

For assistance outside the U.S.A. contact:
International Division
Goodman Manufacturing Company, L.P.
7401 Security Way
Houston, Texas 77040
713-861-2500-Telephone
713-863-2382-Facsimile

Functional Parts

Part No: **Description:**

1262109	ASSY, COND COIL (M4)
1262124	ASSY, COND COIL (M3)
1262107	ASSY, COND COIL (M1, M2)
1262110	ASSY, COND COIL (M5, M6)
1262112	ASSY, COND COIL DUAL (M8, M9)
1262111	ASSY, COND COIL DUAL (M7)
B94575300	CAPACITOR 35/5/370 (M2, M3, M4)
B94577200S	CAPACITOR 45/5/370 (M5)
CAP050350370RS	CAPACITOR 5/35/370 (M1)
CAP050500370RT	CAPACITOR 50/5/370 (M6, M7)
B94575900S	CAPACITOR 55/5/370 (M8)
B94578800S	CAPACITOR 60/5/440 (M9)
CR14K7PFV930	COMPRESSOR 14100, 208/230/60/1 (M1)
CR18K7PFV930	COMPRESSOR 17500, 208/230/60/1 (M3)
ZR24K4PFV930	COMPRESSOR 24000, 208/230/60/1 (M4)
ZR32KAPFV830	COMPRESSOR 32600, 208/230/60/1 (M6)
ZR32K3PFV930	COMPRESSOR 32600, 208/230/60/1 (M5)
ZR36K3PFV930	COMPRESSOR 36900, 208/230/60/1 (M7)
ZR40K3PFV930	COMPRESSOR 40600, 208/230/60/1 (M8)
ZR48K3PFV935	COMPRESSOR 49800, 208/230/60/1 (M9)
ZR18K4PFV930	COMPRESSOR ZR18K4PFV230 (M2)
B1360321	CONTACTOR 25 AMP, 125 LRA, 277V, 1P (M1, M2, M3, M4, M5, M6, M7)
B1360324	CONTACTOR 30 AMP, 150 LRA, 277V (M8)
B1360305	CONTACTOR 40 AMP, 240V (M9)
B1086773S	FAN BLADE 22" DIA. (M1, M3)
B1789859	FLOW CHECK PISTON KIT (M3)
B1789865	FLOW CHECK PISTON KIT (M4)
B1789874	FLOW CHECK PISTON KIT (M5, M6)
B1789855	FLOW CHECK PISTON KIT (M1, M2)
B1789880	FLOW CHECK PISTON KIT (M7)
B1789882	FLOW CHECK PISTON KIT (M8)
B1789888	FLOW CHECK PISTON KIT (M9)
B13400270	MOTOR, 1/4 HP, 8 POLE, 1 SP (M5, M6, M7, M8, M9)
0131M00009PS	MOTOR, 1/6 HP, 8 POLE, .9 AMP (M2, M4)
0131M00016PS	MOTOR, 1/6 HP, 8 POLE, 1 SP (M1, M3)
B1219212	SINGLE-FLOW FILTER DRIER (M1, M2, M3, M4, M5, M6, M7)
B1219225	SINGLE-FLOW FILTER DRIER (M8, M9)
B1282581	VALVE, SERVICE 3/4" OPEN (M2)
B12825171	VALVE, SERVICE 3/8" OPEN
B12825167	VALVE, SERVICE 7/8" OPEN (M7, M8, M9)

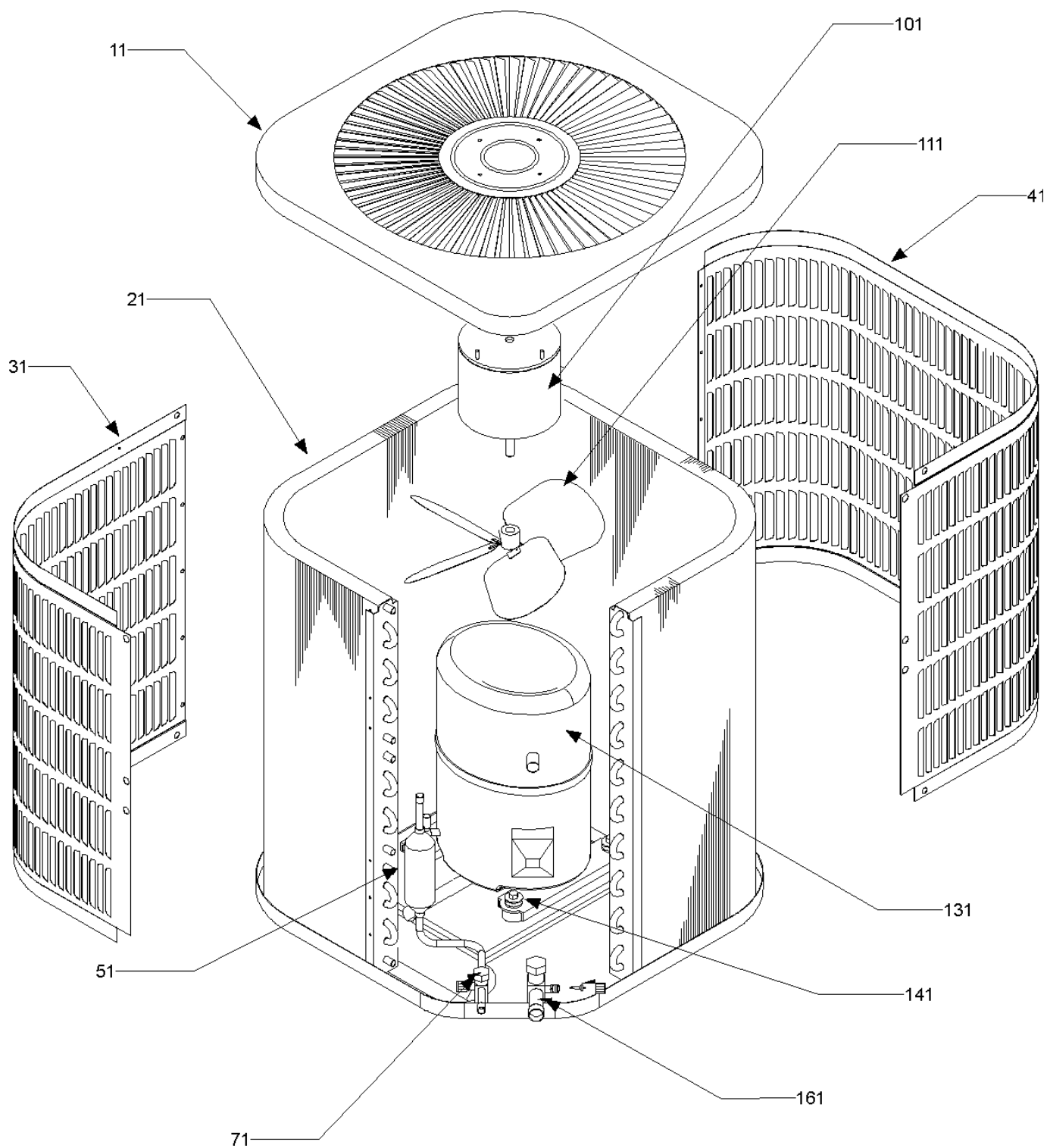
SPECIAL PARTS

IO-101J	INSTALLATION INSTRUCTIONS
B4400000	NAME PLATE
RP-338D	REPAIR PARTS MANUAL

Expanded Model Nomenclature

M1 - CRT18-1
M2 - CRT24-1
M3 - CRT24-1A
M4 - CRT30-1
M5 - CRT36-1
M6 - CRT36-1A
M7 - CRT42-1
M8 - CRT48-1
M9 - CRT60-1

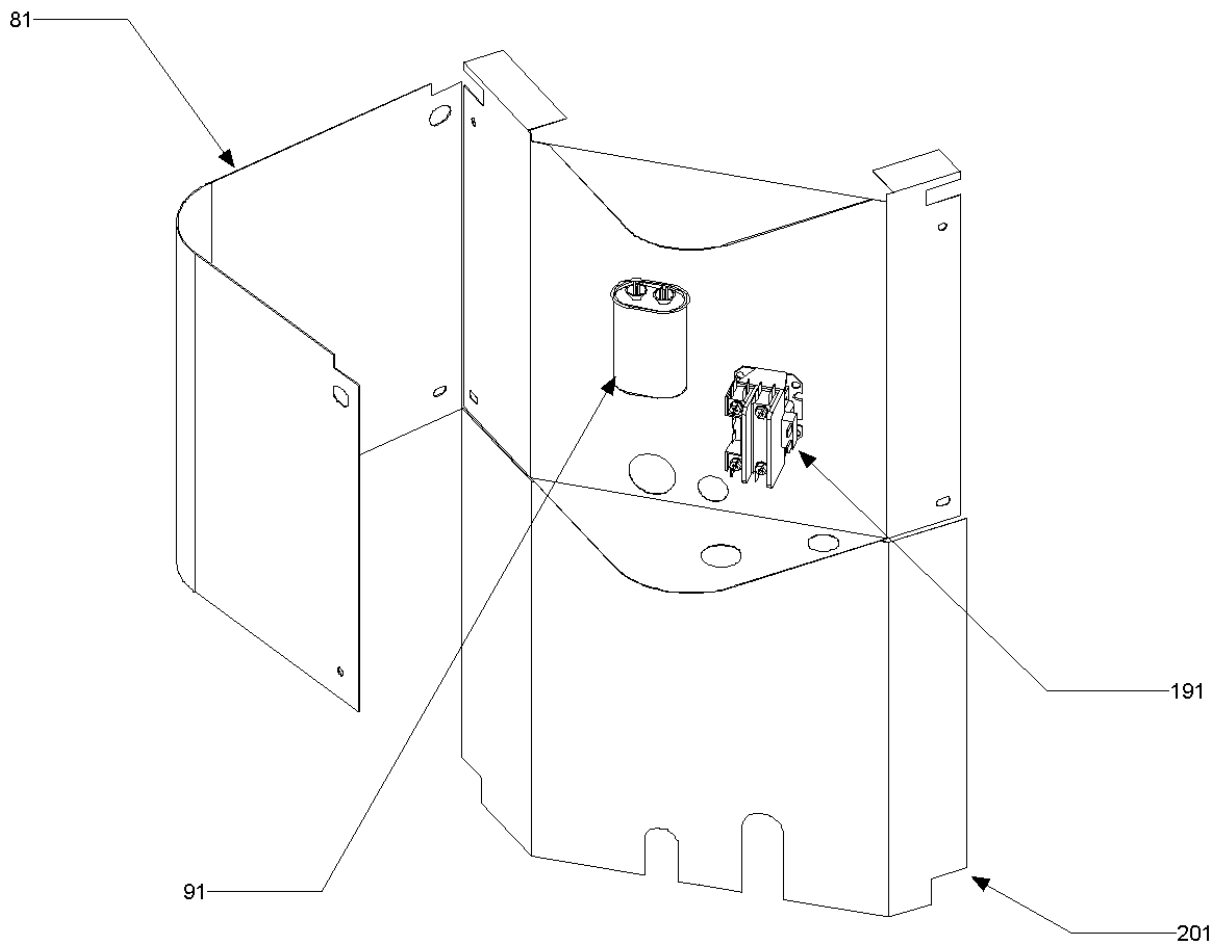
Chassis



Chassis

Ref Part No:	Description:	Ref. Part No:	Description:
<i>Image 1:</i>		NS B1778800	CONDUIT-1/2" PVC
11 1779415PDG	TOP PANEL LRG	NS B1789855	FLOW CHECK PISTON KIT (M1, M2)
21 1262107	ASSY, COND COIL (M1, M2)	NS B1789859	FLOW CHECK PISTON KIT (M3)
21 1262109	ASSY, COND COIL (M4)	NS B1789865	FLOW CHECK PISTON KIT (M4)
21 1262110	ASSY, COND COIL (M5, M6)	NS B1789874	FLOW CHECK PISTON KIT (M5, M6)
21 1262124	ASSY, COND COIL (M3)	NS B1789880	FLOW CHECK PISTON KIT (M7)
21 1262111	ASSY, COND COIL DUAL (M7)	NS B1789882	FLOW CHECK PISTON KIT (M8)
21 1262112	ASSY, COND COIL DUAL (M8, M9)	NS B1789888	FLOW CHECK PISTON KIT (M9)
31 1259564PDG	LOUVER PANEL RETURN SIDE (M1, M2)	NS 0159R00002P	HARNESS, COMPRESSOR SCROLL (M6)
31 1259565PDG	LOUVER PANEL RETURN SIDE (M5, M6)	NS B4400000	NAME PLATE
31 1259566PDG	LOUVER PANEL RETURN SIDE (M7)	NS M0221641	SCREW-SHOULDER TF (M1)
31 1259567PDG	LOUVER PANEL RETURN SIDE (M8, M9)	Expanded Model Nomenclature	
31 1259571PDG	LOUVER PANEL RETURN SIDE (M3, M4)	M1 - CRT18-1	
41 1259560PDG	LOUVER PANEL HAIRPIN SIDE (M1, M2)	M2 - CRT24-1	
41 1259561PDG	LOUVER PANEL HAIRPIN SIDE (M5, M6)	M3 - CRT24-1A	
41 1259562PDG	LOUVER PANEL HAIRPIN SIDE (M7)	M4 - CRT30-1	
41 1259563PDG	LOUVER PANEL HAIRPIN SIDE (M8, M9)	M5 - CRT36-1	
41 1259568PDG	LOUVER PANEL HAIRPIN SIDE (M3, M4)	M6 - CRT36-1A	
51 B1219212	SINGLE-FLOW FILTER DRIER (M1, M2, M3, M4, M5, M6, M7)	M7 - CRT42-1	
51 B1219225	SINGLE-FLOW FILTER DRIER (M8, M9)	M8 - CRT48-1	
71 B12825171	VALVE, SERVICE 3/8" OPEN	M9 - CRT60-1	
101 B13400270	MOTOR, 1/4 HP, 8 POLE, 1 SP (M5, M6, M7, M8, M9)		
101 0131M00009PS	MOTOR, 1/6 HP, 8 POLE, .9 AMP (M2, M4)		
101 0131M00016PS	MOTOR, 1/6 HP, 8 POLE, 1 SP (M1, M3)		
111 B1086773S	FAN BLADE 22" DIA. (M1, M3)		
111 B1086764S	FAN BLADE TYPE 2 (M2, M4)		
111 B1086765S	FAN BLADE TYPE 3 (M5, M6, M7, M8, M9)		
131 CR14K7PFV930	COMPRESSOR 14100, 208/230/60/1 (M1)		
131 CR18K7PFV930	COMPRESSOR 17500, 208/230/60/1 (M3)		
131 ZR24K4PFV930	COMPRESSOR 24000, 208/230/60/1 (M4)		
131 ZR32K3PFV930	COMPRESSOR 32600, 208/230/60/1 (M5)		
131 ZR32KAPFV830	COMPRESSOR 32600, 208/230/60/1 (M6)		
131 ZR36K3PFV930	COMPRESSOR 36900, 208/230/60/1 (M7)		
131 ZR40K3PFV930	COMPRESSOR 40600, 208/230/60/1 (M8)		
131 ZR48K3PFV935	COMPRESSOR 49800, 208/230/60/1 (M9)		
131 ZR18K4PFV930	COMPRESSOR ZR18K4PFV230 (M2)		
141 B1339530	COMPRESSOR GROMMET (M1, M3)		
141 B1339533	COMPRESSOR GROMMET (M2, M4, M5, M6, M7, M8, M9)		
161 B12825166	VALVE, SERVICE 3/4" OPEN (M1, M3, M4, M5, M6)		
161 B1282581	VALVE, SERVICE 3/4" OPEN (M2)		
161 B12825167	VALVE, SERVICE 7/8" OPEN (M7, M8, M9)		
NS B1783803	ACORN NUT (QTY 4)		
NS B1393736	COMPRESSOR BOLT (M2, M3, M4, M5, M6, M7, M8, M9)		
NS 17788000062	CONDUIT 11.000" PVC		

Control Panel



Control Panel

Ref Part No:	Description:	Ref. Part No:	Description:
<i>Image 1:</i>			
81	1787624PDG		COVER, CONTROL BOX
91	B94575300		CAPACITOR 35/5/370 (M2, M3, M4)
91	B94577200S		CAPACITOR 45/5/370 (M5)
91	CAP050350370RS		CAPACITOR 5/35/370 (M1)
91	CAP050500370RT		CAPACITOR 50/5/370 (M6, M7)
91	B94575900S		CAPACITOR 55/5/370 (M8)
91	B94578800S		CAPACITOR 60/5/440 (M9)
191	B1360321		CONTACTOR 25 AMP, 125 LRA, 277V, 1P (M1, M2, M3, M4, M5, M6, M7)
191	B1360324		CONTACTOR 30 AMP, 150 LRA, 277V (M8)
191	B1360305		CONTACTOR 40 AMP, 240V (M9)
201	1787707PDG		ACCESS PANEL 25" (M1, M2)
201	1787708PDG		ACCESS PANEL 27.5" (M3, M4)
201	1787709PDG		ACCESS PANEL 30" (M5, M6)
201	1787717PDG		ACCESS PANEL 37.5" (M7)
201	1787718PDG		ACCESS PANEL 40" (M8, M9)
NS	1284835		CAPACITOR STRAP

Expanded Model Nomenclature

- M1 - CRT18-1
- M2 - CRT24-1
- M3 - CRT24-1A
- M4 - CRT30-1
- M5 - CRT36-1
- M6 - CRT36-1A
- M7 - CRT42-1
- M8 - CRT48-1
- M9 - CRT60-1