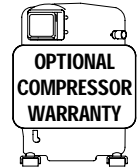




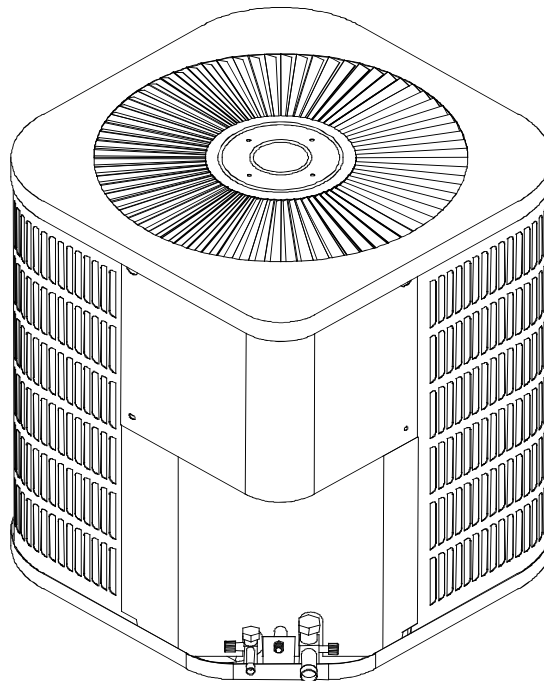
REPAIR PARTS

CPLJ 12 SEER Condensing Units



Models covered
in this manual

CPLJ18-1
CPLJ18-1A
CPLJ24-1
CPLJ24-1A
CPLJ30-1
CPLJ30-1A
CPLJ36-1
CPLJ36-1A
CPLJ42-1
CPLJ42-1A
CPLJ48-1
CPLJ48-1A
CPLJ60-1
CPLJ60-1A



Made in the USA by:
Goodman Manufacturing Company, L.P.
2550 North Loop West, Suite 400
Houston Texas 77092

RP - 277E
November 2005

This manual replaces RP-277D.

This manual is to be used by qualified technicians only.

www.goodmanmfg.com

Copyright ©2004-2005 Goodman Manufacturing Company, L.P.

Important Information

Goodman Manufacturing Company, L.P. is not responsible for personal injury or property damage resulting from improper service. Review all service information before beginning repairs.

Warranty service must be performed by an authorized technician, using authorized factory parts. If service is required after the warranty expires, Goodman Manufacturing Company, L.P. also recommends contacting an authorized technician and using authorized factory parts.

Goodman Manufacturing Company, L.P., reserves the right to discontinue, or change at any time, specifications or designs without notice or without incurring obligations. Goodman® brand products are made proudly in the USA.

For assistance within the U.S.A. contact:
Consumer Affairs Department
Goodman Manufacturing Company, L.P.
7401 Security Way
Houston, Texas 77040
877-254-4729-Telephone
713-863-2382-Facsimile

For assistance outside the U.S.A. contact:
International Division
Goodman Manufacturing Company, L.P.
7401 Security Way
Houston, Texas 77040
713-861-2500-Telephone
713-863-2382-Facsimile

Index

Functional Parts List	4 - 5
Illustration and Parts	6 - 11

Views shown are for parts illustrations only, not servicing procedures

Revision E: Corrected service coil part numbers for M6.

Text Codes:

AR - As Required

NA - Not Available

NS - Not Shown

00000000 - See Note

QTY - Quantity Example (QTY 3) (If Quantity not shown, Quantity = 1)

M - Model Example (M1) (If M Code not shown, then part is used on all Models)

Expanded Model Nomenclature:

Example M1 - Model#1 M2 - Model#2 M3 - Model#3

Functional Parts

Part

No: Description:

Part No:	Description:	Part No:	Description:
B1226206	ACCUMULATOR (3/4 O.D.) (M3, M4, M5, M6, M7, M8)	B1219204	DRIER,BI-FLOW, STEEL
B1226205	ACCUMULATOR (5/8 O.D.) (M1, M2)	B1086771	FAN, COND 3-BLADES, 18" X-SERIES (M1, M2)
B1226207	ACCUMULATOR (7/8 O.D.) (M9, M10, M11, M12, M13, M14)	B1086770	FAN, COND 3-BLADES, 22" (M7, M8, M9, M10, M11, M12)
B94576000	CAPACITOR, 25/5/370 (M2)	B1086750	FAN, COND 3-BLADES, 22" PITCH 24° (M3, M4, M5, M6, M13)
B94578700	CAPACITOR, 30/5/370 (M1, M3, M4)	B1086748	FAN, COND 3-BLADES, 22" PITCH 30° (M14)
B94575300	CAPACITOR, 35/5/370 (M5)	B1789889	FLOWCHECK PISTON KIT (M13)
B94575500	CAPACITOR, 40/5/370 (M7)	B1789868	FLOWCHECK PISTON KIT (M5, M6)
B94577200	CAPACITOR, 45/5/370 (M6, M8, M9, M11)	B1789874	FLOWCHECK PISTON KIT (M7, M8)
B94577400	CAPACITOR, 50/5/370 (M10)	B1789878	FLOWCHECK PISTON KIT (M9, M10)
B94577500	CAPACITOR, 60/5/370 (M12, M13)	B1789859	FLOWCHECK PISTON KIT (M4)
B94577600	CAPACITOR, 80/5/370 (M14)	B1789855	FLOWCHECK PISTON KIT (M1, M2)
CR16K6PFV960	COMPRESSOR CR16K6-PFV-260 (M2)	B1789884	FLOWCHECK PISTON KIT (M11, M12)
CR20K6PFV960	COMPRESSOR CR20K6-PFV-260 (M4)	B1789865	FLOWCHECK PISTON KIT (M3)
B9266839AS	COMPRESSOR H29A353ABCA (M9)	B3118876	FLOWRATOR W/COPPER & PISTON (M14)
B9266845AS	COMPRESSOR H29A423CBCA (M11)	B2114655	FLOWRATOR W/COPPER & PISTON (M7)
B9266842AS	COMPRESSOR H29B15UABCA (M1)	B2114443	FLOWRATOR W/COPPER & PISTON (M1, M4)
B9266834AS	COMPRESSOR H29B22UABCA (M3)	B2114445	FLOWRATOR W/COPPER & PISTON (M3, M6)
ZR28K3PFV930	COMPRESSOR ZR28K3-PFV-230 (M6)	B2114455	FLOWRATOR W/COPPER & PISTON (M4)
	OLD PN# B9266369	B2114452	FLOWRATOR W/COPPER & PISTON (M2)
ZR32K3PFV930	COMPRESSOR ZR32K3-PFV-230 (M8)	B2114662	FLOWRATOR W/COPPER & PISTON (M8)
	OLD PN# B9266380	B2114665	FLOWRATOR W/COPPER & PISTON (M9, M10)
ZR36K3PFV930	COMPRESSOR ZR36K3-PFV-230 (M10)	B2114672	FLOWRATOR W/COPPER & PISTON (M12)
	OLD PN# B9266375	B2114874	FLOWRATOR W/COPPER & PISTON (M11, M13)
ZR42K3PFV930	COMPRESSOR ZR42K3-PFV-230 (M12)	1259560P	LOUVERED PANEL H/PIN SIDE 25.0 (M3)
	OLD PN# B9266352	1259568P	LOUVERED PANEL H/PIN SIDE 27.5 (M4, M5, M6)
ZR48K3PFV930	COMPRESSOR ZR48K3-PFV-230 (M13)	1259561P	LOUVERED PANEL H/PIN SIDE 30.0 (M7, M8)
	OLD PN# B9266338	1259554P	LOUVERED PANEL H/PIN SIDE 32.5 (M1, M2)
ZR54K3PFV930	COMPRESSOR ZR54K3-PFV-230 (M14)	1259562P	LOUVERED PANEL H/PIN SIDE 37.5 (M9, M10, M12)
	OLD PN# B9266349	1259563P	LOUVERED PANEL H/PIN SIDE 40.0 (M11, M13, M14)
B9266843AS	COMPRESSOR, H29B28UABCA (M5)	1259564P	LOUVERED PANEL RETURN SIDE 25.0 (M3)
	OLD PN# B9266639A	1259571P	LOUVERED PANEL RETURN SIDE 27.5 (M4, M5, M6)
B9266640BS	COMPRESSOR, H29B32UABCA (M7)	1259565P	LOUVERED PANEL RETURN SIDE 30.0 (M7, M8)
	OLD PN# B9266642A	1259559P	LOUVERED PANEL RETURN SIDE 32.5 (M1, M2)
B1360321	CONTACTOR, 25 AMP, 1 POLE (M1, M2, M3, M4, M5, M6, M7, M8, M9, M10)	1259566P	LOUVERED PANEL RETURN SIDE 37.5 (M9, M10, M12)
B1360324	CONTACTOR, 30 AMP, 1 POLE (M11, M12)	1259567P	LOUVERED PANEL RETURN SIDE 40.0 (M11, M13, M14)
B1360305	CONTACTOR, 40 AMP, 1 POLE (M13, M14)	B13400248	MOTOR, CONDENSER,1/3 HP, 208/230-60-1,PSC,1075 RPM (M14)
1262210	CRATED SERVICE COIL W/FILTER DRIER (M3)	B13400247	MOTOR, CONDENSER,1/4 HP, 208/230-60-1,PSC,1075 RPM (M9, M10, M11, M12, M13)
1262229	CRATED SERVICE COIL W/FILTER DRIER (M11, M13)	B13400348	MOTOR, CONDENSER,1/6 HP, 208/230-60-1,PSC,1075 RPM (M1, M2, M3, M4, M5, M6, M7, M8)
1262226	CRATED SERVICE COIL W/FILTER DRIER (M9, M10, M12)	B1225020	SOLENOID COIL CORD
1262218	CRATED SERVICE COIL W/FILTER DRIER (M7, M8)	B1141670	START ASSIST (M5, M7, M9)
1262241	CRATED SERVICE COIL W/FILTER DRIER (M2)	B1141671	START ASSIST (M11)
1262242	CRATED SERVICE COIL W/FILTER DRIER (M4)	B1360719	SWITCH, LOW PRESSURE
1262236	CRATED SERVICE COIL W/FILTER DRIER (M6)		
1262214	CRATED SERVICE COIL W/FILTER DRIER (M5)		
1262209	CRATED SERVICE COIL W/FILTER DRIER (M1)		
1262230	CRATED SERVICE COIL W/FILTER DRIER (M14)		
B1226008	DEROST CONTROL WITH RELAY		

Functional Parts

Part

No: Description:

B1370803	THERMOSTAT, DEFROST
B1227316	VALVE, REVERSING (M3, M4, M5, M6, M7, M8)
B1227317	VALVE, REVERSING (M9, M10, M11, M12, M13, M14)
B1227314	VALVE, REVERSING (M1, M2)

SPECIAL PARTS

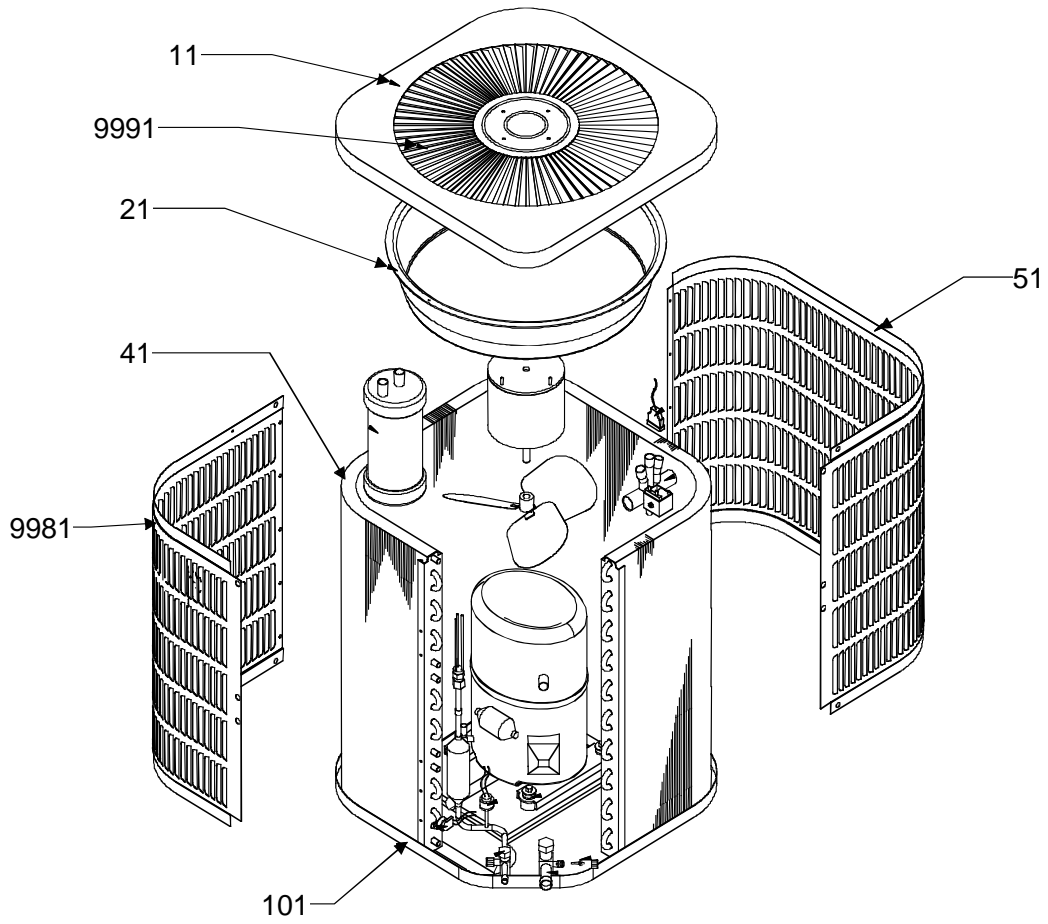
IO-103G I & O MANUAL

RP-277E REPAIR PARTS MANUAL

Expanded Model Nomenclature

M1 - CPLJ18-1
M2 - CPLJ18-1A
M3 - CPLJ24-1
M4 - CPLJ24-1A
M5 - CPLJ30-1
M6 - CPLJ30-1A
M7 - CPLJ36-1
M8 - CPLJ36-1A
M9 - CPLJ42-1
M10 - CPLJ42-1A
M11 - CPLJ48-1
M12 - CPLJ48-1A
M13 - CPLJ60-1
M14 - CPLJ60-1A

Cabinet



Cabinet

Ref Part No:	Description:	Ref. Part No:	Description:
--------------	--------------	---------------	--------------

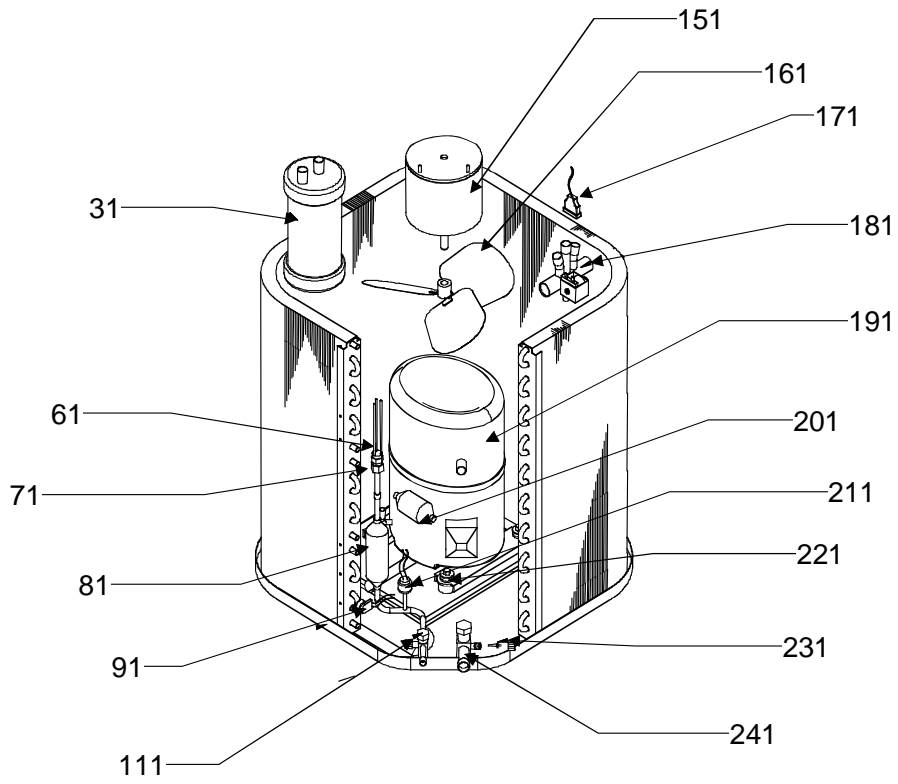
Image 1:

11	1779405P	PANEL, TOP (LOUVERED) (M1, M2)
11	1779406P	PANEL, TOP (LOUVERED) (M3, M4, M5, M6, M7, M8, M9, M10, M11, M12, M13)
11	1779412P	PANEL, TOP (LOUVERED) (M14)
21	1787815	VENTURI, PLASTIC (M7, M9, M11, M13, M14)
41	1262209	CRATED SERVICE COIL W/FILTER DRIER (M1)
41	1262210	CRATED SERVICE COIL W/FILTER DRIER (M3)
41	1262214	CRATED SERVICE COIL W/FILTER DRIER (M5)
41	1262218	CRATED SERVICE COIL W/FILTER DRIER (M7, M8)
41	1262226	CRATED SERVICE COIL W/FILTER DRIER (M9, M10, M12)
41	1262229	CRATED SERVICE COIL W/FILTER DRIER (M11, M13)
41	1262230	CRATED SERVICE COIL W/FILTER DRIER (M14)
41	1262236	CRATED SERVICE COIL W/FILTER DRIER (M6)
41	1262241	CRATED SERVICE COIL W/FILTER DRIER (M2)
41	1262242	CRATED SERVICE COIL W/FILTER DRIER (M4)
51	1259560P	LOUVERED PANEL H/PIN SIDE 25.0 (M3)
51	1259568P	LOUVERED PANEL H/PIN SIDE 27.5 (M4, M5, M6)
51	1259561P	LOUVERED PANEL H/PIN SIDE 30.0 (M7, M8)
51	1259554P	LOUVERED PANEL H/PIN SIDE 32.5 (M1, M2)
51	1259562P	LOUVERED PANEL H/PIN SIDE 37.5 (M9, M10, M12)
51	1259563P	LOUVERED PANEL H/PIN SIDE 40.0 (M11, M13, M14)
101	1787212P	PAN, BOTTOM (LARGE) (M3, M4, M5, M6, M7, M8, M9, M10, M11, M12, M13, M14)
101	1787211P	PAN, BOTTOM (SMALL) (M1, M2)
9981	1259564P	LOUVERED PANEL RETURN SIDE 25.0 (M3)
9981	1259571P	LOUVERED PANEL RETURN SIDE 27.5 (M4, M5, M6)
9981	1259565P	LOUVERED PANEL RETURN SIDE 30.0 (M7, M8)
9981	1259559P	LOUVERED PANEL RETURN SIDE 32.5 (M1, M2)
9981	1259566P	LOUVERED PANEL RETURN SIDE 37.5 (M9, M10, M12)
9981	1259567P	LOUVERED PANEL RETURN SIDE 40.0 (M11, M13, M14)
9991	B1376923	FAN GRILL GUARD (M14)

Expanded Model Nomenclature

M1 - CPLJ18-1
M2 - CPLJ18-1A
M3 - CPLJ24-1
M4 - CPLJ24-1A
M5 - CPLJ30-1
M6 - CPLJ30-1A
M7 - CPLJ36-1
M8 - CPLJ36-1A
M9 - CPLJ42-1
M10 - CPLJ42-1A
M11 - CPLJ48-1
M12 - CPLJ48-1A
M13 - CPLJ60-1
M14 - CPLJ60-1A

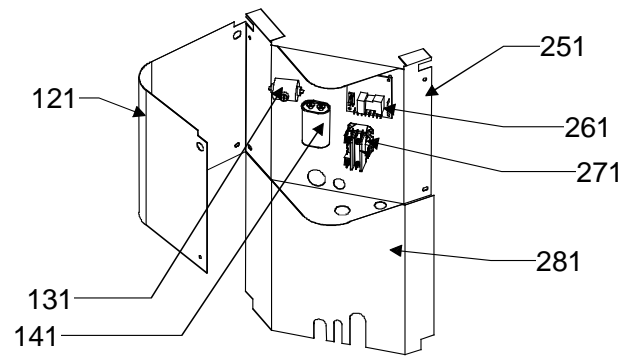
Internal Components



Internal Components

Ref Part No:	Description:	Ref. Part No:	Description:
<i>Image 1:</i>		191 B9266640BS	COMPRESSOR, H29B32UABCA (M7) OLD PN# B9266642A
31 B1226206	ACCUMULATOR (3/4 O.D.) (M3, M4, M5, M6, M7, M8)	201 B1219301	MUFFLER (1/2 X 1/2) (M5, M6, M7, M8, M9, M10, M11, M12, M13, M14)
31 B1226205	ACCUMULATOR (5/8 O.D.) (M1, M2)	201 B1219300	MUFFLER (3/8 X 3/8) (M1, M2, M3, M4)
31 B1226207	ACCUMULATOR (7/8 O.D.) (M9, M10, M11, M12, M13, M14)	211 B1360719	SWITCH, LOW PRESSURE
61 B2114443	FLOWRATOR W/COPPER & PISTON (M1, M4)	221 B1339530	GROMMET,COMPRESSOR (M1, M2, M3, M4, M5, M7, M9, M11)
61 B2114445	FLOWRATOR W/COPPER & PISTON (M3, M6)	221 B1339533	GROMMET,COMPRESSOR (M6, M8, M10, M12, M13, M14)
61 B2114452	FLOWRATOR W/COPPER & PISTON (M2)	231 B1787000	CORE, VALVE (QTY 2)
61 B2114455	FLOWRATOR W/COPPER & PISTON (M4)	241 B1282566	VALVE, BASE, SUCTION LINE 3/4 X 3/4 SWEAT (M1, M2, M3, M4, M5, M6, M7)
61 B2114655	FLOWRATOR W/COPPER & PISTON (M7)	241 B1282567	VALVE, BASE, SUCTION LINE 3/4 X 7/8 SWEAT (M8, M9, M10, M11, M12, M13, M14)
61 B2114662	FLOWRATOR W/COPPER & PISTON (M8)		
61 B2114665	FLOWRATOR W/COPPER & PISTON (M9, M10)		
61 B2114672	FLOWRATOR W/COPPER & PISTON (M12)		
61 B2114874	FLOWRATOR W/COPPER & PISTON (M11, M13)		
61 B3118876	FLOWRATOR W/COPPER & PISTON (M14)		
71 B1789855	FLOWCHECK PISTON KIT (M1, M2)	Expanded Model Nomenclature	
71 B1789859	FLOWCHECK PISTON KIT (M4)	M1 - CPLJ18-1	
71 B1789865	FLOWCHECK PISTON KIT (M3)	M2 - CPLJ18-1A	
71 B1789868	FLOWCHECK PISTON KIT (M5, M6)	M3 - CPLJ24-1	
71 B1789874	FLOWCHECK PISTON KIT (M7, M8)	M4 - CPLJ24-1A	
71 B1789878	FLOWCHECK PISTON KIT (M9, M10)	M5 - CPLJ30-1	
71 B1789884	FLOWCHECK PISTON KIT (M11, M12)	M6 - CPLJ30-1A	
71 B1789889	FLOWCHECK PISTON KIT (M13)	M7 - CPLJ36-1	
81 B1219204	DRIER,BI-FLOW, STEEL	M8 - CPLJ36-1A	
91 B1370803	THERMOSTAT, DEFROST	M9 - CPLJ42-1	
111 B1282571	VALVE, BASE, LIQUID LINE 3/8 X 5/16	M10 - CPLJ42-1A	
151 B13400248	MOTOR, CONDENSER,1/3 HP, 208/230-60-1,PSC,1075 RPM (M14)	M11 - CPLJ48-1	
151 B13400247	MOTOR, CONDENSER,1/4 HP, 208/230-60-1,PSC,1075 RPM (M9, M10, M11, M12, M13)	M12 - CPLJ48-1A	
151 B13400348	MOTOR, CONDENSER,1/6 HP, 208/230-60-1,PSC,1075 RPM (M1, M2, M3, M4, M5, M6, M7, M8)	M13 - CPLJ60-1	
161 B1086771	FAN, COND 3-BLADES, 18" X-SERIES (M1, M2)	M14 - CPLJ60-1A	
161 B1086770	FAN, COND 3-BLADES, 22" (M7, M8, M9, M10, M11, M12)		
161 B1086750	FAN, COND 3-BLADES, 22" PITCH 24° (M3, M4, M5, M6, M13)		
161 B1086748	FAN, COND 3-BLADES, 22" PITCH 30° (M14)		
171 B1225020	SOLENOID COIL CORD		
181 B1227314	VALVE, REVERSING (M1, M2)		
181 B1227316	VALVE, REVERSING (M3, M4, M5, M6, M7, M8)		
181 B1227317	VALVE, REVERSING (M9, M10, M11, M12, M13, M14)		
191 CR16K6PFV960	COMPRESSOR CR16K6-PFV-260 (M2)		
191 CR20K6PFV960	COMPRESSOR CR20K6-PFV-260 (M4)		
191 B9266839AS	COMPRESSOR H29A353ABCA (M9)		
191 B9266845AS	COMPRESSOR H29A423CBCA (M11)		
191 B9266842AS	COMPRESSOR H29B15UABCA (M1)		
191 B9266834AS	COMPRESSOR H29B22UABCA (M3)		
191 ZR28K3PFV930	COMPRESSOR ZR28K3-PFV-230 (M6) OLD PN# B9266369		
191 ZR32K3PFV930	COMPRESSOR ZR32K3-PFV-230 (M8) OLD PN# B9266380		
191 ZR36K3PFV930	COMPRESSOR ZR36K3-PFV-230 (M10) OLD PN# B9266375		
191 ZR42K3PFV930	COMPRESSOR ZR42K3-PFV-230 (M12) OLD PN# B9266352		
191 ZR48K3PFV930	COMPRESSOR ZR48K3-PFV-230 (M13) OLD PN# B9266338		
191 ZR54K3PFV930	COMPRESSOR ZR54K3-PFV-230 (M14) OLD PN# B9266349		
191 B9266843AS	COMPRESSOR, H29B28UABCA (M5) OLD PN# B9266639A		

Control



Control

Ref Part No:	Description:	Ref. Part No:	Description:
<i>Image 1:</i>			
121 1787624P	CONTROL BOX COVER		
131 B1141670	START ASSIST (M5, M7, M9)		
131 B1141671	START ASSIST (M11)		
141 B94576000	CAPACITOR, 25/5/370 (M2)		
141 B94578700	CAPACITOR, 30/5/370 (M1, M3, M4)		
141 B94575300	CAPACITOR, 35/5/370 (M5)		
141 B94575500	CAPACITOR, 40/5/370 (M7)		
141 B94577200	CAPACITOR, 45/5/370 (M6, M8, M9, M11)		
141 B94577400	CAPACITOR, 50/5/370 (M10)		
141 B94577500	CAPACITOR, 60/5/370 (M12, M13)		
141 B94577600	CAPACITOR, 80/5/370 (M14)		
251 1787623	CONTROL BOX		
261 B1226008	DEROST CONTROL WITH RELAY		
271 B1360321	CONTACTOR, 25 AMP, 1 POLE (M1, M2, M3, M4, M5, M6, M7, M8, M9, M10)		
271 B1360324	CONTACTOR, 30 AMP, 1 POLE (M11, M12)		
271 B1360305	CONTACTOR, 40 AMP, 1 POLE (M13, M14)		
281 1787707P	PANEL, ACCESS, (25.0") (M3)		
281 1787708P	PANEL, ACCESS, (27.5") (M4, M5, M6)		
281 1787709P	PANEL, ACCESS, (30.0") (M7, M8)		
281 1787710P	PANEL, ACCESS, (32.0") (M1, M2)		
281 1787717P	PANEL, ACCESS, (37.5") (M9, M10, M12)		
281 1787718P	PANEL, ACCESS, (40.0") (M11, M13, M14)		
NS B260S8291	SPRAY PAINT (HIGH GLOSS BAHAMA BEIGE)		

Expanded Model Nomenclature

M1 - CPLJ18-1
M2 - CPLJ18-1A
M3 - CPLJ24-1
M4 - CPLJ24-1A
M5 - CPLJ30-1
M6 - CPLJ30-1A
M7 - CPLJ36-1
M8 - CPLJ36-1A
M9 - CPLJ42-1
M10 - CPLJ42-1A
M11 - CPLJ48-1
M12 - CPLJ48-1A
M13 - CPLJ60-1
M14 - CPLJ60-1A