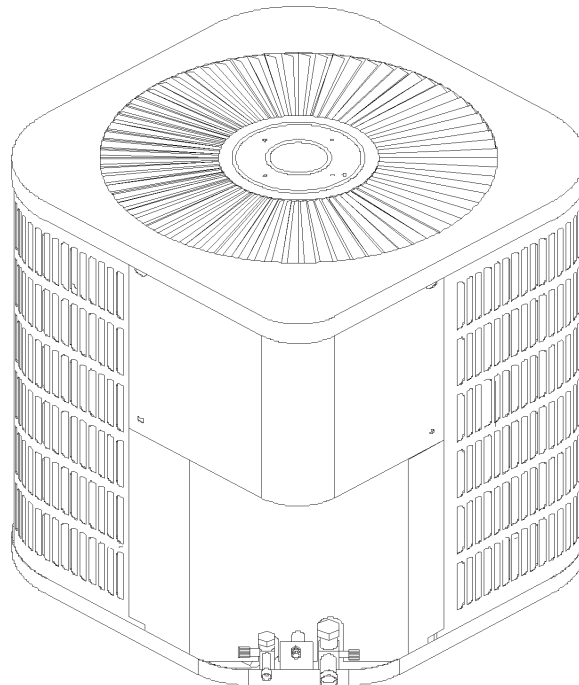




REPAIR PARTS

CPLE (10 SEER) Remote Condensing Unit

- CPLE18-1
- CPLE18-1A
- CPLE18-1B
- CPLE24-1
- CPLE24-1A
- CPLE24-1B
- CPLE30-1
- CPLE30-1A
- CPLE36-1
- CPLE36-1A
- CPLE42-1
- CPLE42-1B
- CPLE48-1
- CPLE48-1A
- CPLE48-3
- CPLE48-3A
- CPLE60-1
- CPLE60-3



Goodman Manufacturing Company, L.P.
5151 San Felipe, Suite 500
Houston, TX 77056

www.goodmanmfg.com

P-278
September 2007

Important Information

Index

Functional Parts List	3
Illustration and Parts	4 - 11

Views shown are for parts illustrations only, not servicing procedures

Rev. F: Corrected top panel part number for CPLE42-1B and CPLE48-3A. Updated compressor, capacitor, fan blade, motor, reversing valve, and 3/8" service valve part numbers.

Text Codes:

AR - As Required

NA - Not Available

NS - Not Shown

00000000 - See Note

QTY - Quantity Example (QTY 3) (If Quantity not shown, Quantity = 1)

M - Model Example (M1) (If M Code not shown, then part is used on all Models)

Expanded Model Nomenclature:

Example M1 - Model#1 M2 - Model#2 M3 - Model#3

Goodman Manufacturing Company, L.P. is not responsible for personal injury or property damage resulting from improper service. Review all service information before beginning repairs.

Warranty service must be performed by an authorized technician, using authorized factory parts. If service is required after the warranty expires, Goodman Manufacturing Company, L.P. also recommends contacting an authorized technician and using authorized factory parts.

Goodman Manufacturing Company, L.P. reserves the right to discontinue, or change at any time, specifications or designs without notice or without incurring obligations.

For assistance within the U.S.A. contact:
Consumer Affairs Department
Goodman Manufacturing Company, L.P.
7401 Security Way
Houston, Texas 77040
877-254-4729-Telephone
713-863-2382-Facsimile

For assistance outside the U.S.A. contact:
International Division
Goodman Manufacturing Company, L.P.
7401 Security Way
Houston, Texas 77040
713-861-2500-Telephone
713-863-2382-Facsimile

Functional Parts

Part

No: Description:

Part No:	Description:	Part No:	Description:
		1262238	SERVICE COND COIL W/FILTER DRIER (M3)
CAP050400370RSS	CAPACITOR 4/40/370V (M10)	1262223	SERVICE COND COIL W/FILTER DRIER (M15, M17, M18)
CAP050250370RSS	CAPACITOR 5/25/370V (M3)	1262210	SERVICE COND COIL W/FILTER DRIER (M9)
CAP050300370RSS	CAPACITOR 5/30/370V (M1, M2, M4, M5, M6)	1262205	SERVICE COND COIL W/FILTER DRIER (M4, M5)
CAP050350370RSS	CAPACITOR 5/35/370V (M7, M8)	1262201	SERVICE COND COIL W/FILTER DRIER (M1, M2)
CAP050350440RSS	CAPACITOR 5/35/440V (M11, M14)	1262244	SERVICE COND COIL W/FILTER DRIER (M12)
CAP050000370VA	CAPACITOR 5/370V (M15, M16, M18)	1262240	SERVICE COND COIL W/FILTER DRIER (M8)
CAP050400440RTS	CAPACITOR 5/40/440V (M12, M13)	1262221	SERVICE COND COIL W/FILTER DRIER (M11)
CAP050450370RSS	CAPACITOR 5/45/370V (M9)		
CAP050600370RTS	CAPACITOR 5/60/370V (M17)		
CR42K6PFV960	COMPRESSOR CR42K6PFV260 (M14)		
CR42K6TF5960	COMPRESSOR CR42K6TF5920 (M16)		
CR38K6PFV960	COMPRESSOR H23A383ABCA, 208/230-60-1 (M11, M12)		
B9266201AS	COMPRESSOR H23A423ABCA, 208/230-60-1 (M13)		
B9266204AS	COMPRESSOR H23A423DBLA, 208/230-60-3 (M15)		
CR18K6PFV960	COMPRESSOR H29B17ABCA (M1, M2, M3)		
CR22K6PFV960	COMPRESSOR H29B22UABCA, 208/230-60-1 (M4, M5, M6)		
CR30K6PFV960	COMPRESSOR H29B28UABCA, 208/230-60-1 (M7, M8)		
CR35K6PFV960	COMPRESSOR H29B35UABCA, 208/230-60-1 (M9, M10)		
ZR57K3PFV950	COMPRESSOR ZR57K3PFV250 (M17)		
ZR57KCTF5930	COMPRESSOR ZR57KCTF5230 (M18)		
CONT3P025024VS	CONTACTOR 25 AMP, 3P, 150 LRA, 24V (M15, M16, M18)		
CONT1P030024VS	CONTACTOR 30 AMP, 1P, 150 LRA, 24V (M13, M14)		
CONT2P040024VS	CONTACTOR 40 AMP, 2P, 200 LRA, 24V (M17)		
B1360719	LOW PRESSURE SWITCH		
0131M00007PS	MOTOR 1/4 HP, 1 SP, PSC, 208/230-60-1 (M9, M10, M11, M13, M15, M17, M18)		
0131M00009PS	MOTOR 1/6 HP, 1 SP, PSC, 208/230-60-1 (M12, M16)		
B13400252S	MOTOR 1/6 HP, 1 SP, PSC, 208-230-60-1 (M14)		
B13400251S	MOTOR 1/6 HP, 1 SP, PSC, 208-230-60-1 (M1, M2, M4, M5, M7)		
B13400252S	MOTOR 1/6 HP, 1 SP, PSC, 208-230-60-1 (M3, M6, M8)		
1262239	SERVICE COND COIL W/FILTER DRIER (M6)		
1262207	SERVICE COND COIL W/FILTER DRIER (M7)		
1262247	SERVICE COND COIL W/FILTER DRIER (M13, M14, M16)		
1262243	SERVICE COND COIL W/FILTER DRIER (M10)		

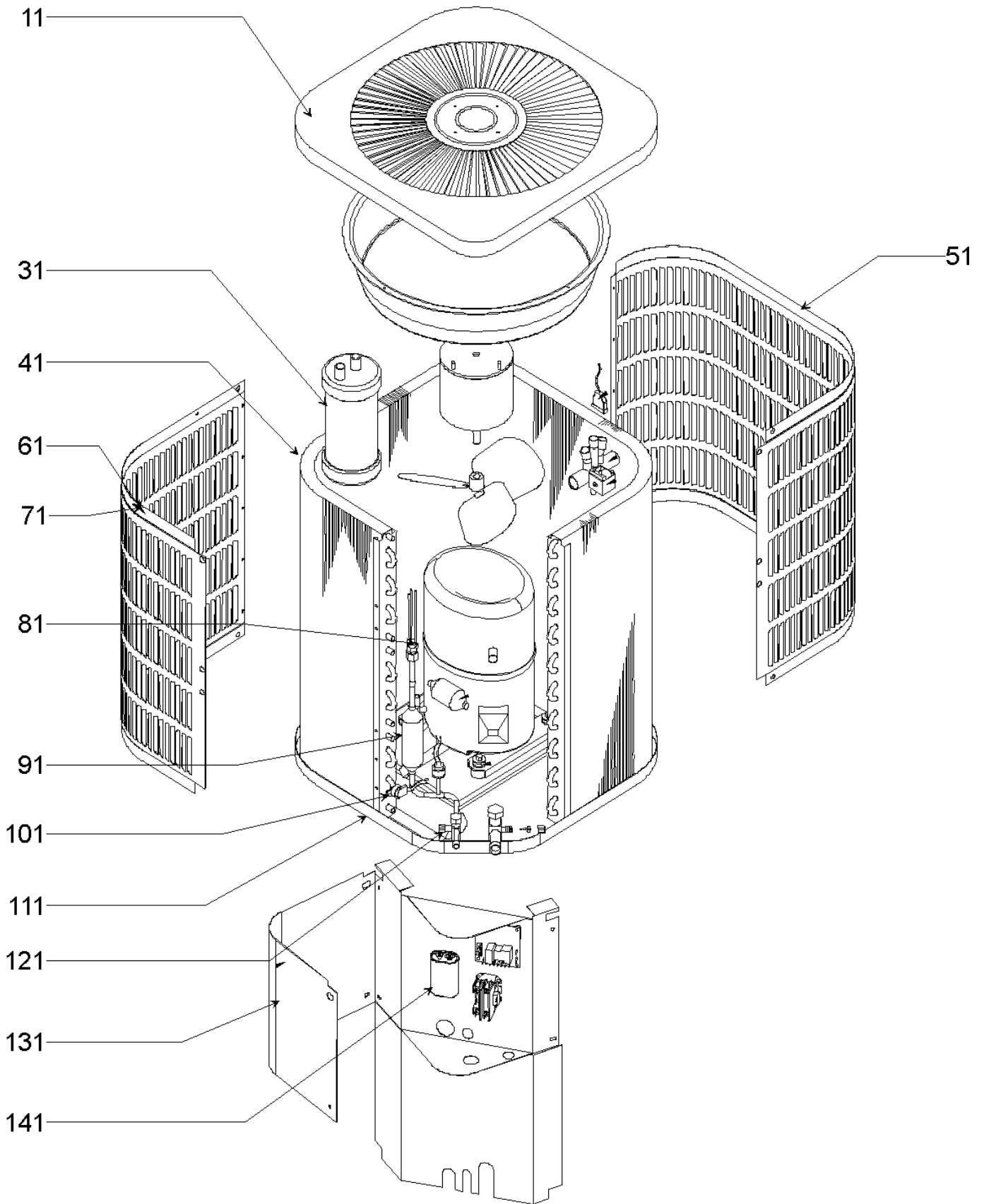
SPECIAL PARTS

IO-103G	INSTALLATION & OWNERS MANUAL
RP-278F	REPAIR PARTS MANUAL
B260S8291	SPRAY PAINT (HIGH GLOSS BAHAMA BEIGE)

Expanded Model Nomenclature

M1 - CPLE18-1
M2 - CPLE18-1A
M3 - CPLE18-1B
M4 - CPLE24-1
M5 - CPLE24-1A
M6 - CPLE24-1B
M7 - CPLE30-1
M8 - CPLE30-1A
M9 - CPLE36-1
M10 - CPLE36-1A
M11 - CPLE42-1
M12 - CPLE42-1B
M13 - CPLE48-1
M14 - CPLE48-1A
M15 - CPLE48-3
M16 - CPLE48-3A
M17 - CPLE60-1
M18 - CPLE60-3

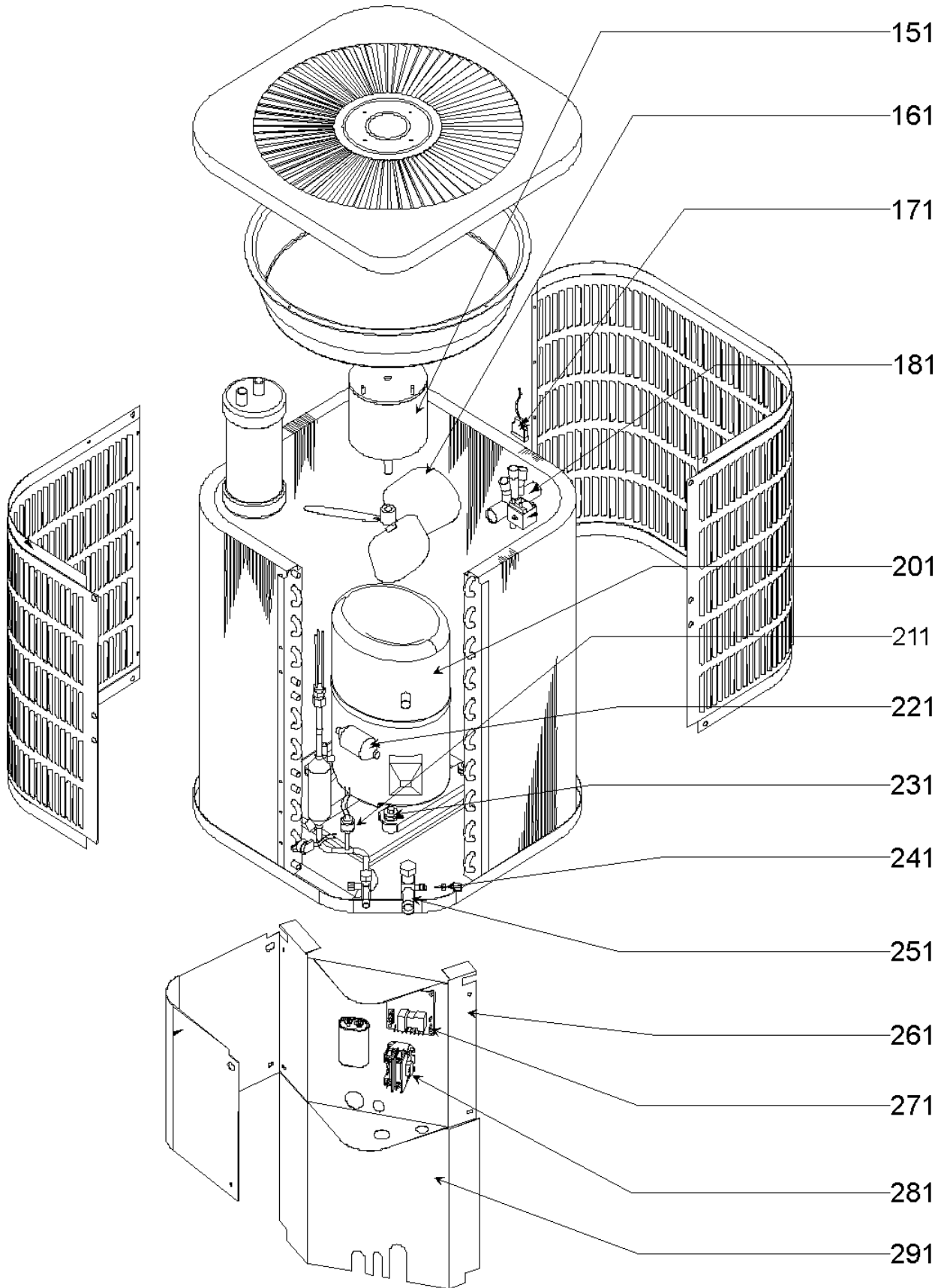
Louvered Chassis & Control (18 - 30-1A)



Louvered Chassis & Control (18 - 30-1A)

Ref Part No:	Description:	Ref. Part No:	Description:
<i>Image 1:</i>		Expanded Model Nomenclature	
11	1779405P TOP PANEL (M1, M2, M3, M4, M5, M6, M7, M8)	M1 - CPLE18-1	
31	B1226205 ACCUMULATOR (5/8 OD) (M1, M2, M3, M4, M5, M6, M7)	M2 - CPLE18-1A	
31	B1226208 ACCUMULATOR 4D X 11H CC (M8)	M3 - CPLE18-1B	
41	1262201 SERVICE COND COIL W/FILTER DRIER (M1, M2)	M4 - CPLE24-1	
41	1262205 SERVICE COND COIL W/FILTER DRIER (M4, M5)	M5 - CPLE24-1A	
41	1262207 SERVICE COND COIL W/FILTER DRIER (M7)	M6 - CPLE24-1B	
41	1262238 SERVICE COND COIL W/FILTER DRIER (M3)	M7 - CPLE30-1	
41	1262239 SERVICE COND COIL W/FILTER DRIER (M6)	M8 - CPLE30-1A	
41	1262240 SERVICE COND COIL W/FILTER DRIER (M8)	M9 - CPLE36-1	
51	1259550P LOUVER PANEL H/PIN SIDE (M1)	M10 - CPLE36-1A	
51	1259553P LOUVER PANEL H/PIN SIDE (M4, M5, M6, M7, M8)	M11 - CPLE42-1	
61	1259555P LOUVER PANEL RETURN SIDE (M1)	M12 - CPLE42-1B	
61	1259558P LOUVER PANEL RETURN SIDE (M4, M5, M6, M7, M8)	M13 - CPLE48-1	
71	1259574P LOUVER PANEL-SINGLE PIECE (M2, M3)	M14 - CPLE48-1A	
81	B1314341 FLOWRATOR W/COPPER (M1, M2, M3)	M15 - CPLE48-3	
81	B2114447 FLOWRATOR W/COPPER (M4, M5)	M16 - CPLE48-3A	
81	B2114455 FLOWRATOR W/COPPER (M7)	M17 - CPLE60-1	
81	B1314345 FLOWRATOR W/COPPER STUB (M6)	M18 - CPLE60-3	
81	B1314349 FLOWRATOR W/COPPER STUB (M8)		
91	B1219204 BI-FLOW FILTER DRIER 3/8 x 3/8		
101	B1370803 DEFROST THERMOSTAT		
111	1787211P BOTTOM PAN SML (M1, M2, M3, M4, M5, M6, M7, M8)		
121	B12825171 SERVICE VALVE 3/8"		
131	1787624P CONTROL BOX COVER		
141	CAP050250370RSSCAPACITOR 5/25/370V (M3)		
141	CAP050300370RSSCAPACITOR 5/30/370V (M1, M2, M4, M5, M6)		
141	CAP050350370RSSCAPACITOR 5/35/370V (M7, M8)		

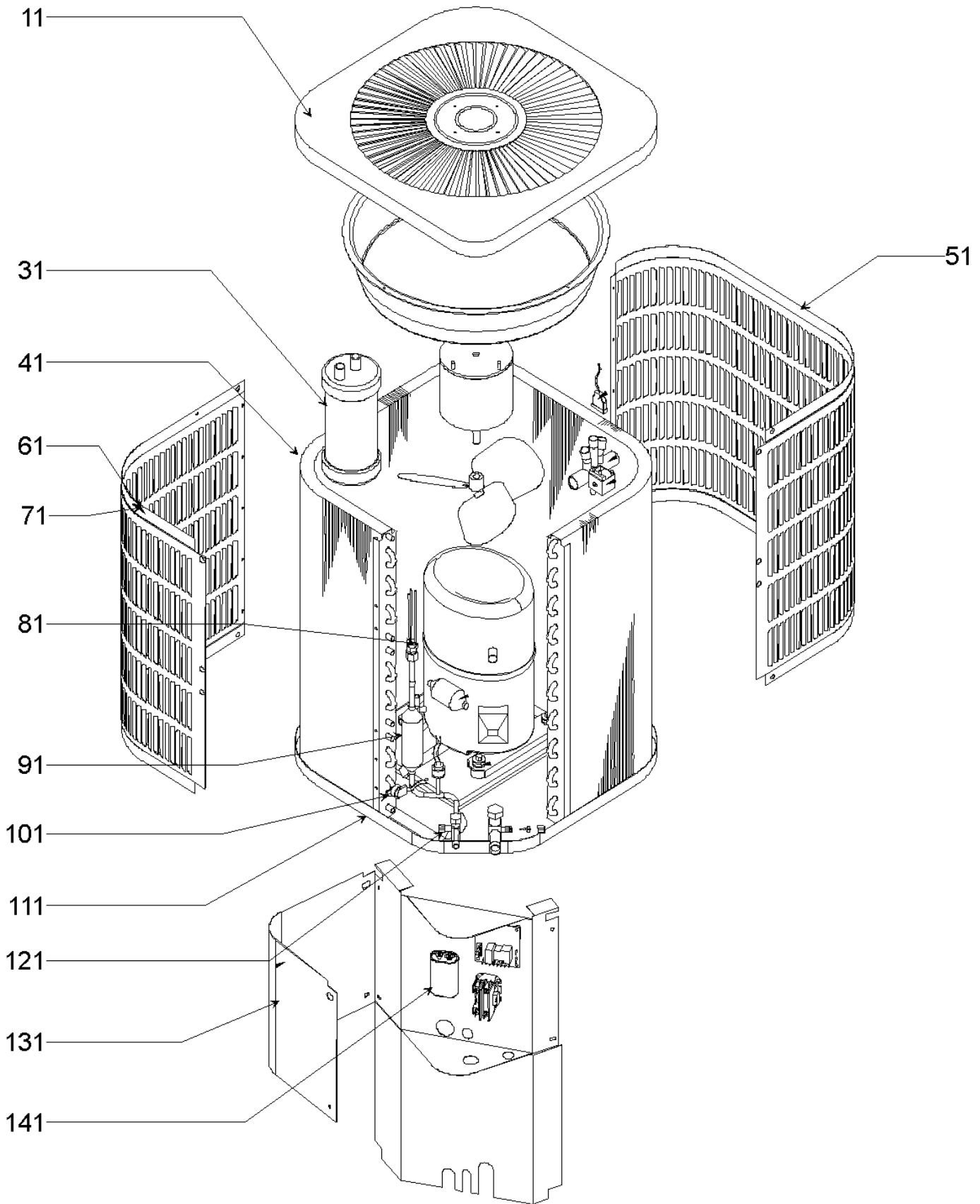
Louvered Chassis & Control (18 - 30-1A)



Louvered Chassis & Control (18 - 30-1A)

Ref Part No:	Description:	Ref. Part No:	Description:
<i>Image 1:</i>		Expanded Model Nomenclature	
151	B13400251S MOTOR 1/6 HP, 1 SP, PSC, 208-230-60-1 (M1, M2, M4, M5, M7)	M1 - CPLE18-1	
151	B13400252S MOTOR 1/6 HP, 1 SP, PSC, 208-230-60-1 (M3, M6, M8)	M2 - CPLE18-1A	
161	B1086756S FAN BLADE 18" (M1, M2, M4, M5, M7)	M3 - CPLE18-1B	
161	B1086771S FAN BLADE 18" (M3, M6, M8)	M4 - CPLE24-1	
171	B1225020 SOLENOID COIL CORD	M5 - CPLE24-1A	
181	B1227314S REVERSING VALVE, RANCO V2-310061-3GD (M1, M2, M3, M4, M5, M6)	M6 - CPLE24-1B	
181	B1227316S REVERSING VALVE, RANCO V6-312081-1GD (M7, M8)	M7 - CPLE30-1	
201	CR18K6PFV960 COMPRESSOR H29B17ABCA (M1, M2, M3) OLD PN B9266600A	M8 - CPLE30-1A	
201	CR22K6PFV960 COMPRESSOR H29B22UABCA, 208/230-60-1 (M4, M5, M6)	M9 - CPLE36-1	
201	CR30K6PFV960 COMPRESSOR H29B28UABCA, 208/230-60-1 (M7, M8)	M10 - CPLE36-1A	
211	B1360719 LOW PRESSURE SWITCH	M11 - CPLE42-1	
221	B1219301 MUFFLER (1/2 X 1/2), PARKER P54801-02 (M7)	M12 - CPLE42-1B	
221	B1219300 MUFFLER (3/8 X 3/8), PARKER P54801-01 (M1, M2, M4, M5)	M13 - CPLE48-1	
231	B1339530 COMPRESSOR GROMMET (QTY 4) (M1, M2, M3, M4, M5, M6, M7, M8)	M14 - CPLE48-1A	
241	B1787000 VALVE CORE (QTY 2)	M15 - CPLE48-3	
251	B1282566 SERVICE VALVE 3/4" (M1, M2, M3, M4, M5, M6, M7, M8)	M16 - CPLE48-3A	
261	1787623 CONTROL BOX	M17 - CPLE60-1	
271	B1226008 DEFROST CONTROL W/RELAY	M18 - CPLE60-3	
281	CONT1P025024VS CONTACTOR 25 AMP, 1P, 125 LRA, 24V (M1, M2, M3, M4, M5, M6, M7, M8, M9, M10, M11, M12)		
291	1787706P ACCESS PANEL 22.5" (M1, M2, M3)		
291	1787709P ACCESS PANEL 30" (M4, M5, M6, M7, M8)		

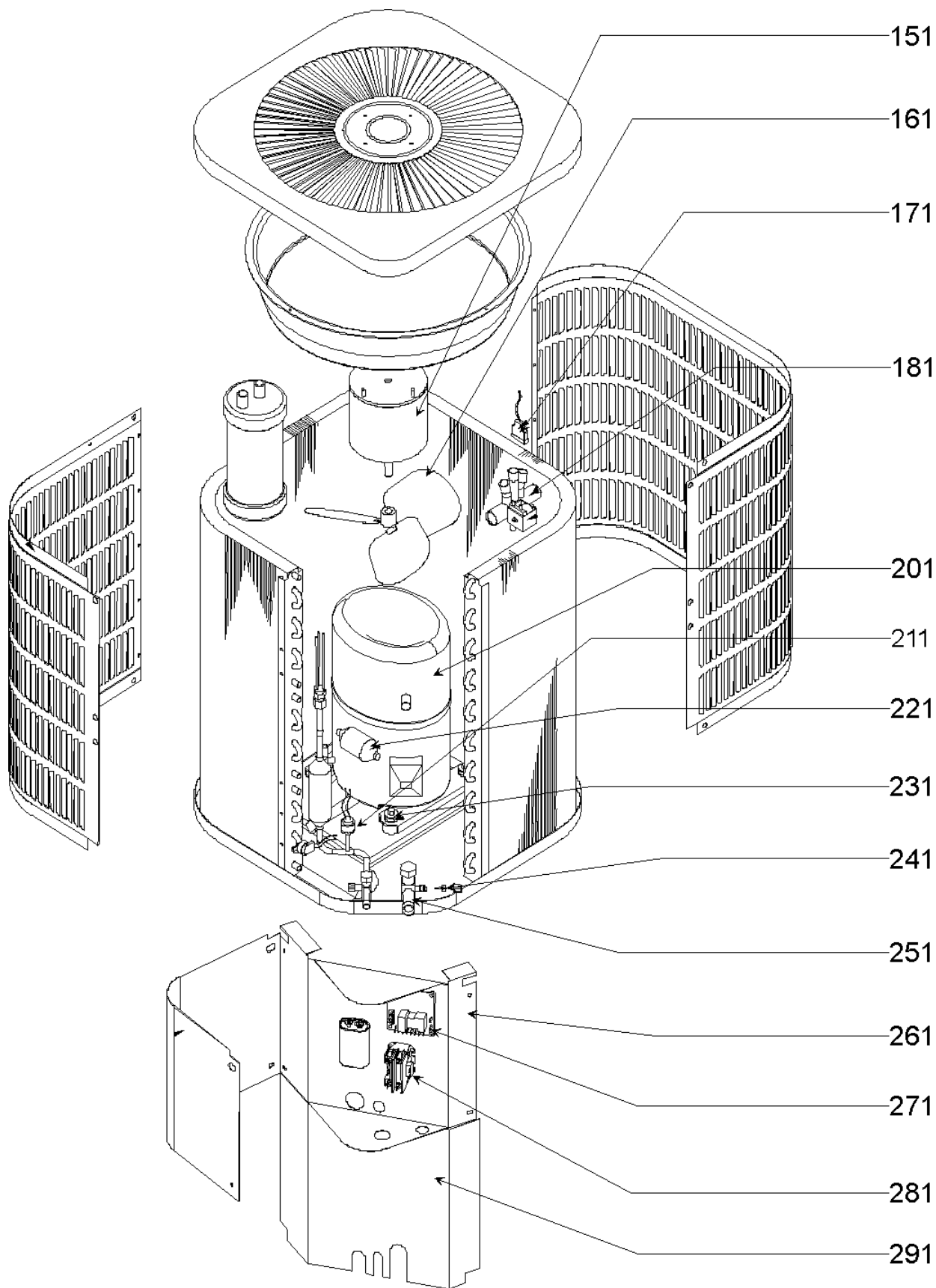
Louvered Chassis & Control (36 - 60-3)



Louvered Chassis & Control (36 - 60-3)

Ref Part No:	Description:	Ref. Part No:	Description:
<i>Image 1:</i>		Expanded Model Nomenclature	
11	1779405P TOP PANEL (M14)	M1	CPLE18-1
11	1779415P TOP PANEL (M9, M10, M11, M12, M13, M15, M16, M17, M18)	M2	CPLE18-1A
31	B1226206 ACCUMULATOR (3/4 OD) (M9, M10)	M3	CPLE18-1B
31	B1226207 ACCUMULATOR (7/8 OD) (M11, M12, M13, M14, M15, M16, M17, M18)	M4	CPLE24-1
41	1262210 SERVICE COND COIL W/FILTER DRIER (M9)	M5	CPLE24-1A
41	1262221 SERVICE COND COIL W/FILTER DRIER (M11)	M6	CPLE24-1B
41	1262223 SERVICE COND COIL W/FILTER DRIER (M15, M17, M18)	M7	CPLE30-1
41	1262243 SERVICE COND COIL W/FILTER DRIER (M10)	M8	CPLE30-1A
41	1262244 SERVICE COND COIL W/FILTER DRIER (M12)	M9	CPLE36-1
41	1262247 SERVICE COND COIL W/FILTER DRIER (M13, M14, M16)	M10	CPLE36-1A
51	1259560P LOUVER PANEL H/PIN SIDE (M9, M10)	M11	CPLE42-1
51	1259561P LOUVER PANEL H/PIN SIDE (M11, M12)	M12	CPLE42-1B
51	1259569P LOUVER PANEL H/PIN SIDE (M13, M14, M15, M16, M17, M18)	M13	CPLE48-1
61	1259564P LOUVER PANEL RETURN SIDE (M9, M10)	M14	CPLE48-1A
61	1259565P LOUVER PANEL RETURN SIDE (M11, M12)	M15	CPLE48-3
61	1259572P LOUVER PANEL RETURN SIDE (M13, M14, M15, M16, M17, M18)	M16	CPLE48-3A
81	B2114459 FLOWRATOR W/COPPER (M10)	M17	CPLE60-1
81	B2114465 FLOWRATOR W/COPPER (M9, M11, M12)	M18	CPLE60-3
81	B2114674 FLOWRATOR W/COPPER (M13, M15)		
81	B2114676 FLOWRATOR W/COPPER (M14, M16)		
81	B2114684 FLOWRATOR W/COPPER (M17, M18)		
91	B1219204 BI-FLOW FILTER DRIER 3/8 x 3/8		
101	B1370803 DEFROST THERMOSTAT		
111	1787212P BOTTOM PAN LRG (M9, M10, M11, M12, M13, M14, M15, M16, M17, M18)		
121	B12825171 SERVICE VALVE 3/8"		
131	1787624P CONTROL BOX COVER		
141	CAP050400370RSSCAPACITOR 4/40/370V (M10)		
141	CAP050350440RSSCAPACITOR 5/35/440V (M11, M14)		
141	CAP050000370VA CAPACITOR 5/370V (M15, M16, M18)		
141	CAP050400440RTSCAPACITOR 5/40/440V (M12, M13)		
141	CAP050450370RSSCAPACITOR 5/45/370V (M9)		
141	CAP050600370RTSCAPACITOR 5/60/370V (M17)		

Louvered Chassis & Control (36 - 60-3)



Louvered Chassis & Control (36 - 60-3)

Ref Part No:	Description:	Ref. Part No:	Description:
<i>Image 1:</i>		Expanded Model Nomenclature	
151	0131M00007PS MOTOR 1/4 HP, 1 SP, PSC, 208/230-60-1 (M9, M10, M11, M13, M15, M17, M18)	M1	CPLE18-1
151	0131M00009PS MOTOR 1/6 HP, 1 SP, PSC, 208/230-60-1 (M12, M16)	M2	CPLE18-1A
151	B13400252S MOTOR 1/6 HP, 1 SP, PSC, 208-230-60-1 (M14)	M3	CPLE18-1B
161	B1086770S FAN BLADE (M10)	M4	CPLE24-1
161	B1086771S FAN BLADE 18" (M14)	M5	CPLE24-1A
161	B1086750S FAN BLADE 22", 24P (M9, M11, M13, M15, M17, M18)	M6	CPLE24-1B
161	B1086766 FAN BLADE 28P (M12, M16)	M7	CPLE30-1
171	B1225020 SOLENOID COIL CORD	M8	CPLE30-1A
181	B1227317S REVERSING VALVE, RANCO V10-314081-1GD (M11, M12, M13, M14, M15, M16, M17, M18)	M9	CPLE36-1
181	B1227316S REVERSING VALVE, RANCO V6-312081-1GD (M9, M10)	M10	CPLE36-1A
201	CR42K6PFV960 COMPRESSOR CR42K6PFV260 (M14)	M11	CPLE42-1
201	CR42K6TF5960 COMPRESSOR CR42K6TF5920 (M16)	M12	CPLE42-1B
201	CR38K6PFV960 COMPRESSOR H23A383ABCA, 208/230-60-1 (M11, M12)	M13	CPLE48-1
201	B9266201AS COMPRESSOR H23A423ABCA, 208/230-60-1 (M13)	M14	CPLE48-1A
201	B9266204AS COMPRESSOR H23A423DBLA, 208/230-60-3 (M15)	M15	CPLE48-3
201	CR35K6PFV960 COMPRESSOR H29B35UABCA, 208/230-60-1 (M9, M10)	M16	CPLE48-3A
201	ZR57K3PFV950 COMPRESSOR ZR57KCPFV250 (M17) OLD PN# B9266355	M17	CPLE60-1
201	ZR57KCTF5930 COMPRESSOR ZR57KCTF5230 (M18) OLD PN# B9266353	M18	CPLE60-3
211	B1360719 LOW PRESSURE SWITCH		
221	B1219301 MUFFLER (1/2 X 1/2), PARKER P54801-02 (M9, M10, M11, M12, M13, M14, M15, M16, M17, M18)		
231	B1339530 COMPRESSOR GROMMET (QTY 4) (M9, M10, M11, M12, M13, M14, M15, M16)		
231	B1339533 COMPRESSOR GROMMET (QTY 4) (M17, M18)		
241	B1787000 VALVE CORE (QTY 2)		
251	B1282566 SERVICE VALVE 3/4" (M9, M10)		
251	B12825167 SERVICE VALVE 7/8" (M11, M12, M13, M14, M15, M16, M17, M18)		
261	1787623 CONTROL BOX		
271	B1226008 DEFROST CONTROL W/RELAY		
281	CONT1P025024VS CONTACTOR 25 AMP, 1P, 125 LRA, 24V (M9, M10, M11, M12)		
281	CONT3P025024VS CONTACTOR 25 AMP, 3P, 150 LRA, 24V (M15, M16, M18)		
281	CONT1P030024VS CONTACTOR 30 AMP, 1P, 150 LRA, 24V (M13, M14)		
281	CONT2P040024VS CONTACTOR 40 AMP, 2P, 200 LRA, 24V (M17)		
291	1787707P ACCESS PANEL 25" (M9, M10)		
291	1787709P ACCESS PANEL 30" (M11, M12)		
291	1787710P ACCESS PANEL 32" (M13, M14, M15, M16, M17, M18)		