

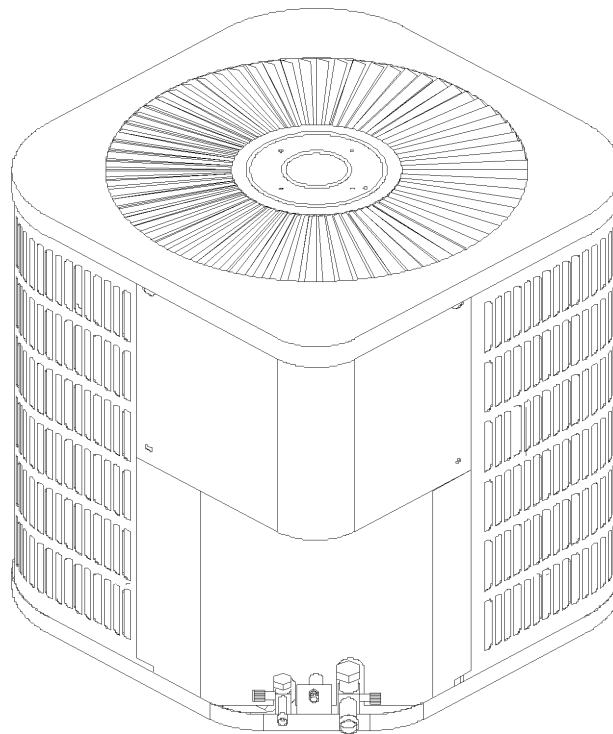


REPAIR PARTS

CKL 10 SEER (36-62) Remote Condensing Units

Models 18-30 can be found on RP-465.

CKL36-1
CKL36-1K
CKL36-1L
CKL36-1D
CKL36-1E
CKL36-1F
CKL36-1G
CKL36-1H
CKL36-3
CKL36-3K
CKL36-3L
CKL36-3A
CKL42-1
CKL42-1B
CKL42-1L
CKL42-1A
CKL49-1
CKL49-1L
CKL49-3
CKL49-3A
CKL49-3L
CKL60-1
CKL60-1L
CKL60-3
CKL60-3L
CKL60-4
CKL60-4L
CKL62-1
CKL62-1L



Goodman Manufacturing Company, L.P.
5151 San Felipe, Suite 500
Houston, TX 77056

www.goodmanmfg.com

RP-466
May 2007

Important Information

Index

Functional Parts List	3
Illustration and Parts	6 - 11

Views shown are for parts illustrations only, not servicing procedures

Updated compressor information.

Text Codes:

AR - As Required

NA - Not Available

NS - Not Shown

00000000 - See Note

QTY - Quantity Example (QTY 3) (If Quantity not shown, Quantity = 1)

M - Model Example (M1) (If M Code not shown, then part is used on all Models)

Expanded Model Nomenclature:

Example M1 - Model#1 M2 - Model#2 M3 - Model#3

Goodman Manufacturing Company, L.P. is not responsible for personal injury or property damage resulting from improper service. Review all service information before beginning repairs.

Warranty service must be performed by an authorized technician, using authorized factory parts. If service is required after the warranty expires, Goodman Manufacturing Company, L.P. also recommends contacting an authorized technician and using authorized factory parts.

Goodman Manufacturing Company, L.P. reserves the right to discontinue, or change at any time, specifications or designs without notice or without incurring obligations.

For assistance within the U.S.A. contact:
Consumer Affairs Department
Goodman Manufacturing Company, L.P.
7401 Security Way
Houston, Texas 77040
877-254-4729-Telephone
713-863-2382-Facsimile

For assistance outside the U.S.A. contact:
International Division
Goodman Manufacturing Company, L.P.
7401 Security Way
Houston, Texas 77040
713-861-2500-Telephone
713-863-2382-Facsimile

Functional Parts

Part

No: Description:

Part No:	Description:		
CAP050000370VA	CAPACITOR 5/370V (M9, M10, M11, M12, M19, M20, M21, M24, M25, M26, M27)	1262103	CRATED SERVICE COIL (M2, M3, M4, M5, M6, M9, M10, M11)
CAP050400370RS	CAPACITOR 5/40/370V (M6)	1262105	CRATED SERVICE COIL (M13, M14, M15, M16)
CAP050400440RT	CAPACITOR 5/40/440V (M14, M15, M16, M17, M18)	1262118	CRATED SERVICE COIL (M28, M29)
CAP050450370RS	CAPACITOR 5/45/370V (M1, M2, M4)	B1789882	FLOW CHECK PISTON KIT (M18, M20, M21)
CAP050500370RT	CAPACITOR 5/50/370V (M3, M5, M7, M8, M13)	B1789893	FLOW CHECK PISTON KIT (M28, M29)
CAP050600370RT	CAPACITOR 5/60/370V (M22, M23)	B13400248S	MOTOR 1/3 HP, 230V, 2.4 FLA, 1 SP (M28, M29)
CR34K6PFV920	COMPRESSOR 34500, 208/230/60/1 (M7, M8)	B13400247S	MOTOR 1/4 HP, 230V, 1.8 FLA, 1 SP (M17, M18, M19, M20, M21, M22, M23, M24, M25)
CR35K6TF5920	COMPRESSOR 34900, 208/230/60/3 (M10, M11, M12)	B13400252S	MOTOR 1/6 HP, 230V, 1.3 FLA, 1 SP (M13, M14, M15, M16)
CR38K6PFV920	COMPRESSOR 38200, 208/230/60/1 (M15, M16)	B13400251S	MOTOR 1/6 HP, 230V, 1.3 FLA, 1SP (M1, M2, M3, M4, M5, M6, M7, M8, M9, M10, M11, M12)
CR42K6TF5920	COMPRESSOR 41700, 200/230/60/3 (M20, M21)	B13400269S	MOTOR 380/460 50/60 CYCLE (M26, M27)
CR42K6PFV920	COMPRESSOR 41900, 380/420/60/1 (M18)	B1219212	SINGLE-FLOW FILTER DRIER, STEEL (M1, M2, M3, M4, M5, M6, M7, M8, M9, M10, M11, M12, M13, M14, M15, M16)
ZR57KCTF5930	COMPRESSOR 57500, 200/230/60/3 (M24, M25)	B1219225	SINGLE-FLOW FILTER DRIER, STEEL (M17, M19, M20, M22, M23, M24, M25, M26, M27, M28, M29)
ZR57KCPFV950	COMPRESSOR 57500, 208/230/60/1 (M22, M23)	B1141657	START ASSIST (M3)
CR34K6PFV920	COMPRESSOR CR34K6PFV230 (M3, M5)	B1282566	VALVE, SERVICE 3/4" (M1, M2, M3, M4, M5, M6, M9, M10)
CR35K6PFV920	COMPRESSOR CR35K6PFV223 (M6)	0151R00002P	VALVE, SERVICE 3/4" OPEN (M7, M8, M11, M12)
B9266342	COMPRESSOR CR42K6PFV230 (M14)	20163801	VALVE, SERVICE 3/8" (M1)
CR42K6PFV960	COMPRESSOR H23A423ABCA (703995-1501-00) (M17)	B12825171	VALVE, SERVICE 3/8" (M2, M3, M4, M5, M6, M8, M9, M10, M12, M13, M14, M16, M17, M18, M19, M21, M22, M24, M26, M27, M28, M29)
B9266204A	COMPRESSOR H23A423DBLA (703932-1501-00) (M19)	B12825167	VALVE, SERVICE 7/8" (M13, M14, M15, M16, M17, M18, M19, M20, M21, M22, M23, M24, M25, M26, M27, M28, M29)
CR38K6PFV960	COMPRESSOR H28A383ABCA (740068-1501-00) (M13)		
CR35K6PFV960	COMPRESSOR H29B35UABCA (709012-1501-00) (M1, M2, M4)		
CR35K6TF5960	COMPRESSOR H29B35UDBLA (709063-1501-00) (M9)		
ZR57KCTFD930	COMPRESSOR ZR57KCTFD230 (M26, M27)		
ZR61KCPFV950	COMPRESSOR ZR61KCPFV250 (M28, M29)		
CONT1P025024VS	CONTACTOR 25 AMP, 1P, 277V, 125 LRA (M1, M2, M3, M4, M5, M6, M7, M8, M13, M14, M15, M16)		
CONT3P025024V	CONTACTOR 25 AMP, 3P, 24V (M9, M10, M11, M12, M19, M20, M21, M24, M25)		
B1360315	CONTACTOR 25 AMP, 3P, 24V (M26, M27)		
CONT1P030024V	CONTACTOR 30 AMP, 1P, 24V (M17, M18)		
CONT2P040024V	CONTACTOR 40 AMP, 2P, 24V (M22, M23, M28, M29)		
1262119	CRATED SERVICE COIL (M7, M8, M12)		
1265627S	CRATED SERVICE COIL (M17, M18, M19, M20, M21)		
1262110	CRATED SERVICE COIL (M22, M23, M24, M25, M26, M27)		
1262104	CRATED SERVICE COIL (M1)		

Functional Parts

Part

No: Description:

SPECIAL PARTS

CAP050700370RT CAPACITOR 5/70/370 (M28, M29)

IO-101J INSTALLATION INSTRUCTIONS

B4400000 NAME PLATE (M6, M7, M8, M10, M11, M12, M14, M15, M16, M17, M18, M19, M20, M21, M22, M23, M24, M25, M27, M28, M29)

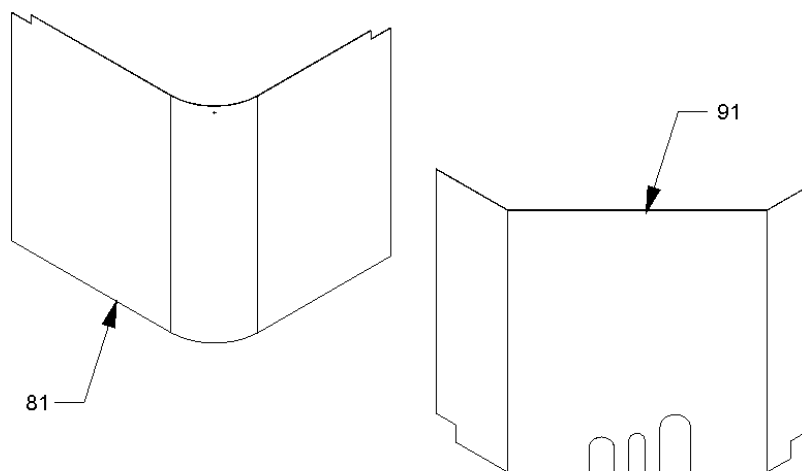
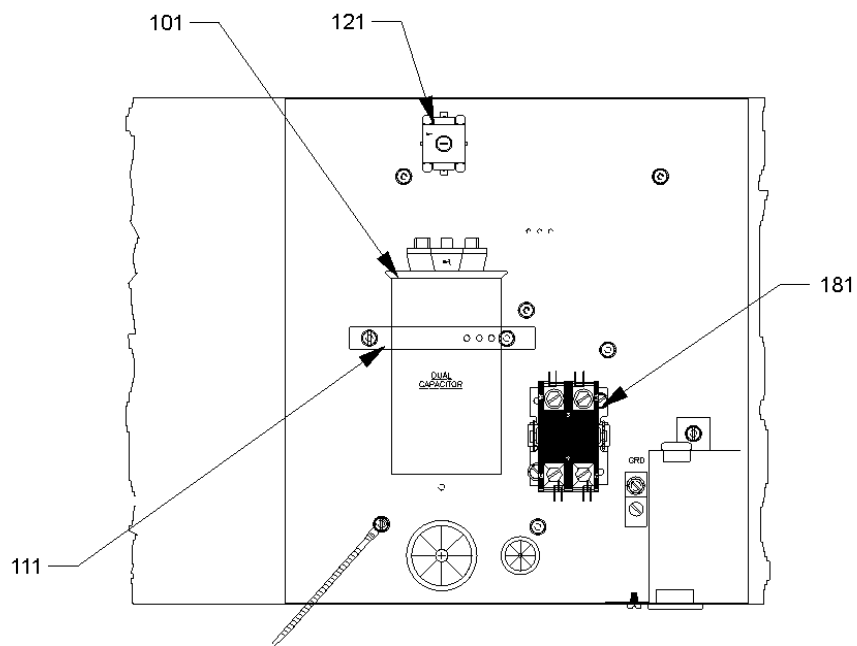
RP-466 REPAIR PARTS MANUAL

Expanded Model Nomenclature

M1 - CKL36-1
M2 - CKL36-1D
M3 - CKL36-1E
M4 - CKL36-1F
M5 - CKL36-1G
M6 - CKL36-1H
M7 - CKL36-1K
M8 - CKL36-1L
M9 - CKL36-3
M10 - CKL36-3A
M11 - CKL36-3K
M12 - CKL36-3L
M13 - CKL42-1
M14 - CKL42-1A
M15 - CKL42-1B
M16 - CKL42-1L
M17 - CKL49-1
M18 - CKL49-1L
M19 - CKL49-3
M20 - CKL49-3A
M21 - CKL49-3L
M22 - CKL60-1
M23 - CKL60-1L
M24 - CKL60-3
M25 - CKL60-3L
M26 - CKL60-4
M27 - CKL60-4L
M28 - CKL62-1
M29 - CKL62-1L

THIS PAGE INTENTIONALLY LEFT BLANK

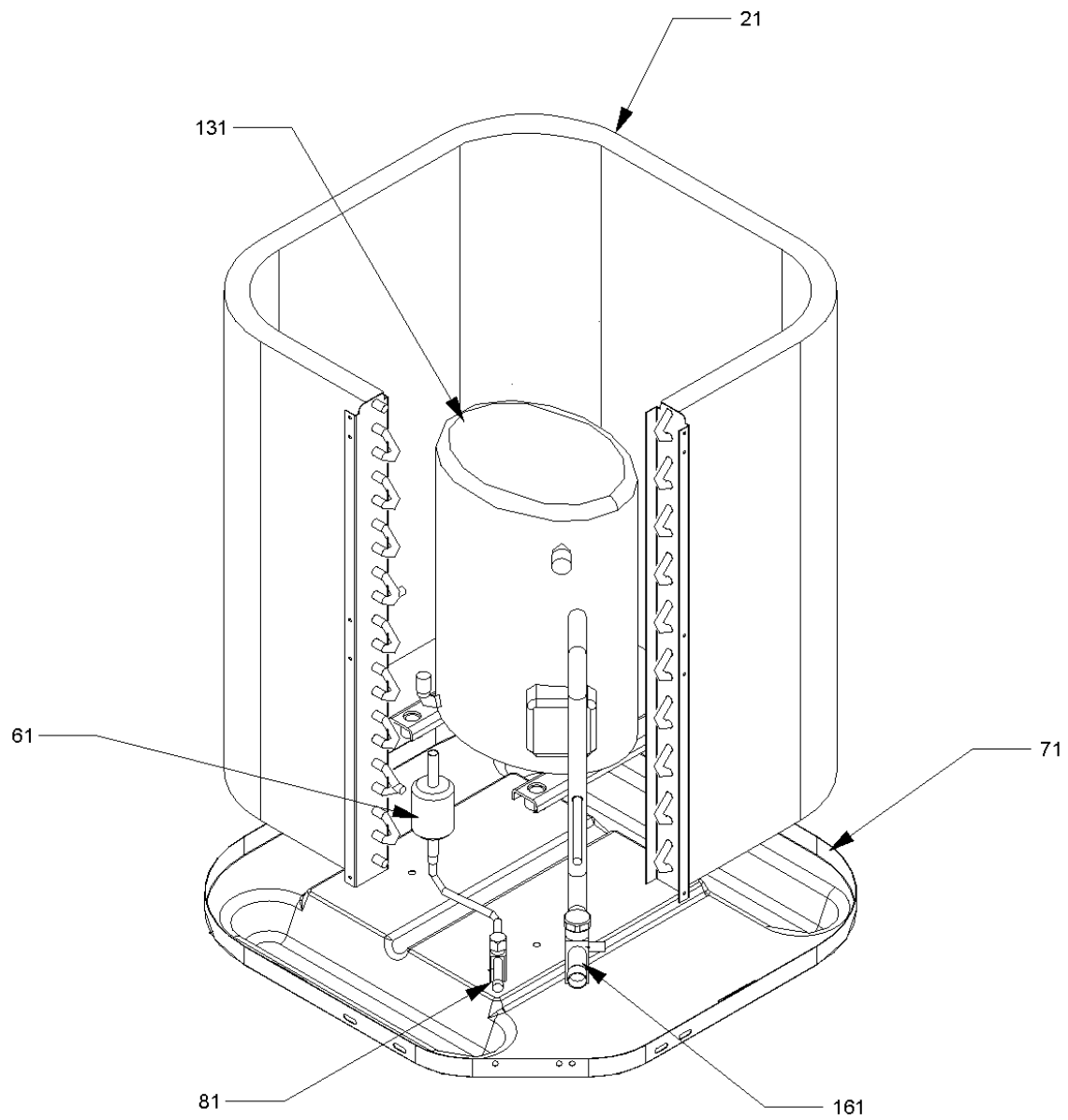
Control Cover/Control Box



Control Cover/Control Box

Ref Part No:	Description:	Ref. Part No:	Description:
<i>Image 1:</i>		Expanded Model Nomenclature	
81	1787624PDG CONTROL BOX COVER	M1	- CKL36-1
91	1787707P ACCESS PANEL 25" (M2, M3, M4, M5, M6, M9, M10)	M2	- CKL36-1D
91	1787708PDG ACCESS PANEL 27.5" (M1, M7, M8, M11, M12, M17, M18, M19, M20, M21)	M3	- CKL36-1E
91	1787709PDG ACCESS PANEL 30" (M13, M14, M15, M16, M22, M23, M24, M25, M26, M27)	M4	- CKL36-1F
91	1787717PDG ACCESS PANEL 37.5" (M28, M29)	M5	- CKL36-1G
101	CAP050000370VA CAPACITOR 5/370V (M9, M10, M11, M12, M19, M20, M21, M24, M25, M26, M27)	M6	- CKL36-1H
101	CAP050400370RS CAPACITOR 5/40/370V (M6)	M7	- CKL36-1K
101	CAP050400440RT CAPACITOR 5/40/440V (M14, M15, M16, M17, M18)	M8	- CKL36-1L
101	CAP050450370RS CAPACITOR 5/45/370V (M1, M2, M4)	M9	- CKL36-3
101	CAP050500370RT CAPACITOR 5/50/370V (M3, M5, M7, M8, M13)	M10	- CKL36-3A
101	CAP050600370RT CAPACITOR 5/60/370V (M22, M23)	M11	- CKL36-3K
101	CAP050700370RT CAPACITOR 5/70/370 (M28, M29)	M12	- CKL36-3L
111	1284835 CAPACITOR STRAP	M13	- CKL42-1
121	B1141657 START ASSIST (M3)	M14	- CKL42-1A
181	CONT1P025024VS CONTACTOR 25 AMP, 1P, 277V, 125 LRA (M1, M2, M3, M4, M5, M6, M7, M8, M13, M14, M15, M16)	M15	- CKL42-1B
181	B1360315 CONTACTOR 25 AMP, 3P, 24V (M26, M27)	M16	- CKL42-1L
181	CONT3P025024V CONTACTOR 25 AMP, 3P, 24V (M9, M10, M11, M12, M19, M20, M21, M24, M25)	M17	- CKL49-1
181	CONT1P030024V CONTACTOR 30 AMP, 1P, 24V (M17, M18)	M18	- CKL49-1L
181	CONT2P040024V CONTACTOR 40 AMP, 2P, 24V (M22, M23, M28, M29)	M19	- CKL49-3
		M20	- CKL49-3A
		M21	- CKL49-3L
		M22	- CKL60-1
		M23	- CKL60-1L
		M24	- CKL60-3
		M25	- CKL60-3L
		M26	- CKL60-4
		M27	- CKL60-4L
		M28	- CKL62-1
		M29	- CKL62-1L

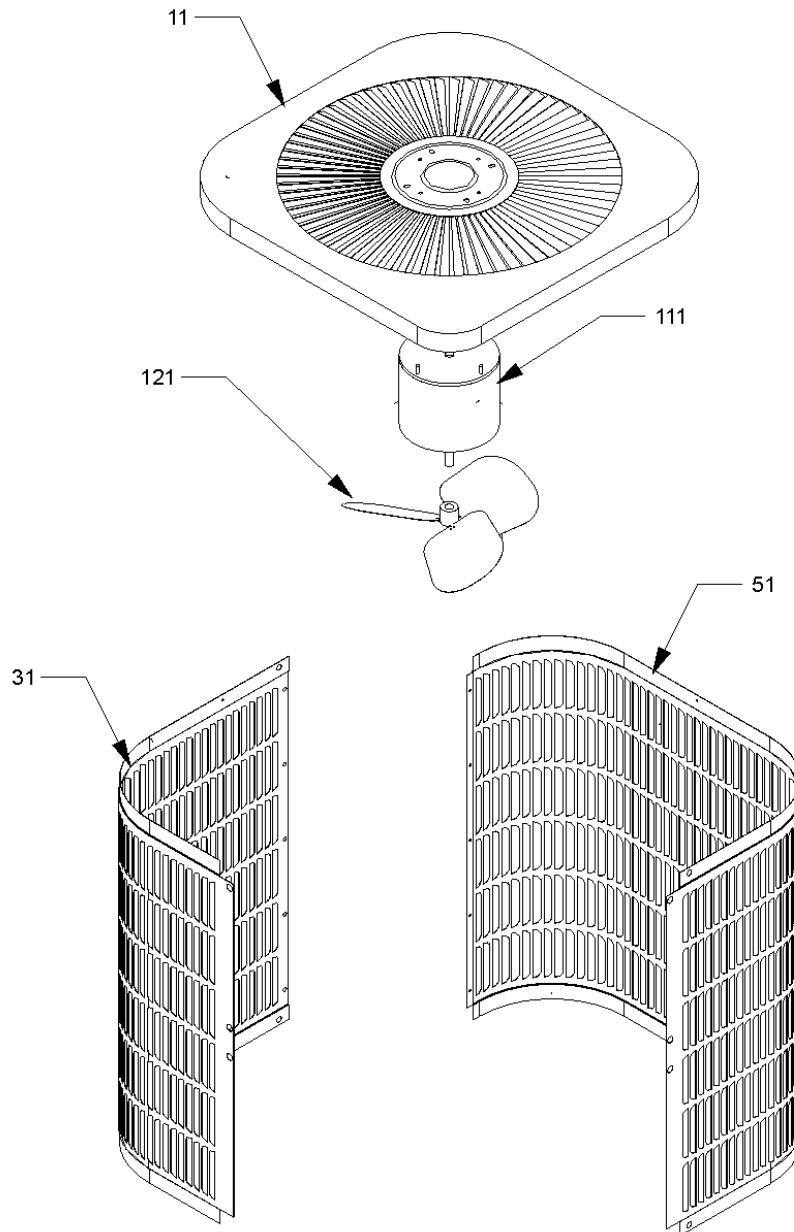
Compressor/Tubing Assy



Compressor/Tubing Assy

Ref Part No:	Description:	Ref. Part No:	Description:
<i>Image 1:</i>		NS B1393736	COMPRESSOR BOLT (M27, M28, M29)
21 1262103	CRATED SERVICE COIL (M2, M3, M4, M5, M6, M9, M10, M11)	NS B1393701	COMPRESSOR BOLT & SLEEVE ASSY (M1, M2, M3, M4, M5, M6, M7, M8, M9, M10, M11, M12, M13, M14, M15, M16, M26)
21 1262104	CRATED SERVICE COIL (M1)	NS B1339530	COMPRESSOR GROMMET (M1, M2, M3, M4, M5, M6, M7, M8, M9, M10, M11, M12, M13, M14, M15, M16, M17, M18, M19, M20, M21)
21 1262105	CRATED SERVICE COIL (M13, M14, M15, M16)	NS B1339533	COMPRESSOR GROMMET (M22, M23, M24, M25, M26, M27, M28, M29)
21 1262110	CRATED SERVICE COIL (M22, M23, M24, M25, M26, M27)	NS M0221641	COMPRESSOR SCREW-SHOULDER TF (M17, M18, M19, M20, M21, M22, M23, M24, M25)
21 1262118	CRATED SERVICE COIL (M28, M29)	Expanded Model Nomenclature	
21 1262119	CRATED SERVICE COIL (M7, M8, M12)	M1 - CKL36-1	
21 1265627S	CRATED SERVICE COIL (M17, M18, M19, M20, M21)	M2 - CKL36-1D	
61 B1219212	SINGLE-FLOW FILTER DRIER, STEEL (M1, M2, M3, M4, M5, M6, M7, M8, M9, M10, M11, M12, M13, M14, M15, M16)	M3 - CKL36-1E	
61 B1219225	SINGLE-FLOW FILTER DRIER, STEEL (M17, M19, M20, M22, M23, M24, M25, M26, M27, M28, M29)	M4 - CKL36-1F	
71 1787209P	BASE PAN (M1, M2, M3)	M5 - CKL36-1G	
71 1787211PDG	BASE PAN (M4, M5, M6, M7, M8, M9, M10, M11, M12, M13, M14, M15, M16)	M6 - CKL36-1H	
71 1787212PDG	BASE PAN (M17, M18, M19, M20, M21, M22, M23, M24, M25, M26, M27, M28, M29)	M7 - CKL36-1K	
81 20163801	VALVE, SERVICE 3/8" (M1)	M8 - CKL36-1L	
81 B12825171	VALVE, SERVICE 3/8" (M2, M3, M4, M5, M6, M8, M9, M10, M12, M13, M14, M16, M17, M18, M19, M21, M22, M24, M26, M27, M28, M29)	M9 - CKL36-3	
131 CR34K6PFV920	COMPRESSOR 34500, 208/230/60/1 (M7, M8)	M10 - CKL36-3A	
131 CR35K6TF5920	COMPRESSOR 34900, 208/230/60/3 (M10, M11, M12)	M11 - CKL36-3K	
131 CR38K6PFV920	COMPRESSOR 38200, 208/230/60/1 (M15, M16)	M12 - CKL36-3L	
131 CR42K6TF5920	COMPRESSOR 41700, 200/230/60/3 (M20, M21)	M13 - CKL42-1	
131 CR42K6PFV920	COMPRESSOR 41900, 380/420/60/1 (M18)	M14 - CKL42-1A	
131 ZR57KCTF5930	COMPRESSOR 57500, 200/230/60/3 (M24, M25)	M15 - CKL42-1B	
131 ZR57KCPFV950	COMPRESSOR 57500, 208/230/60/1 (M22, M23)	M16 - CKL42-1L	
131 CR34K6PFV920	COMPRESSOR CR34KFPFV230 (M3, M5)	M17 - CKL49-1	
131 CR35K6PFV920	COMPRESSOR CR35K6PFV223 (M6)	M18 - CKL49-1L	
131 B9266342	COMPRESSOR CR42K6PFV230 (M14)	M19 - CKL49-3	
131 CR42K6PFV960	COMPRESSOR H23A423ABCA (703995-1501-00) (M17)	M20 - CKL49-3A	
131 B9266204A	COMPRESSOR H23A423DBLA (703932-1501-00) (M19)	M21 - CKL49-3L	
131 CR38K6PFV960	COMPRESSOR H28A383ABCA (740068-1501-00) (M13)	M22 - CKL60-1	
131 CR35K6PFV960	COMPRESSOR H29B35UABCA (709012-1501-00) (M1, M2, M4)	M23 - CKL60-1L	
131 CR35K6TF5960	COMPRESSOR H29B35UDBLA (709063-1501-00) (M9)	M24 - CKL60-3	
131 ZR57KCTFD930	COMPRESSOR ZR57KCTFD230 (M26, M27)	M25 - CKL60-3L	
131 ZR61KCPFV950	COMPRESSOR ZR61KCPFV250 (M28, M29)	M26 - CKL60-4	
161 B1282566	VALVE, SERVICE 3/4" (M1, M2, M3, M4, M5, M6, M9, M10)	M27 - CKL60-4L	
161 0151R00002P	VALVE, SERVICE 3/4" OPEN (M7, M8, M11, M12)	M28 - CKL62-1	
161 B12825167	VALVE, SERVICE 7/8" (M13, M14, M15, M16, M17, M18, M19, M20, M21, M22, M23, M24, M25, M26, M27, M28, M29)	M29 - CKL62-1L	

Cabinet Top/Side panels



Cabinet Top/Side panels

Ref Part No:	Description:	Ref. Part No:	Description:
<i>Image 1:</i>		Expanded Model Nomenclature	
11	1779415PDG LOUVERED PANEL, TOP LRG (M17, M18, M19, M20, M21, M22, M23, M24, M25, M26, M27, M28, M29)	M1 - CKL36-1	
11	1779405PDG TOP PANEL (M1, M2, M3, M4, M5, M6, M7, M8, M9, M10, M11, M12, M13, M14, M15, M16)	M2 - CKL36-1D	
31	1259552PDG LOUVERED PANEL, 27.5" HAIRPIN SIDE LRG (M7, M8, M11, M12)	M3 - CKL36-1E	
31	B1259568 LOUVERED PANEL, 27.5" HAIRPIN SIDE LRG (M18, M21)	M4 - CKL36-1F	
31	1259561PDG LOUVERED PANEL, 30.0" HAIRPIN LRG (M22, M23, M24, M25, M26, M27)	M5 - CKL36-1G	
31	1259553PDG LOUVERED PANEL, 30.0" HAIRPIN SIDE LRG (M13, M14, M15, M16)	M6 - CKL36-1H	
31	1259562PDG LOUVERED PANEL, 37.5" HAIRPIN LRG (M28, M29)	M7 - CKL36-1K	
31	1259551P LOUVERED PANEL, HAIRPIN SIDE (M4, M5, M6, M9, M10)	M8 - CKL36-1L	
31	1259568PDG LOUVERED PANEL, HAIRPIN SIDE (M17, M18, M19, M20, M21)	M9 - CKL36-3	
51	B1259571 LOUVERED PANEL, 27.5" RETURN SIDE LRG (M18, M21)	M10 - CKL36-3A	
51	1259557PDG LOUVERED PANEL, 27.5" RETURN SIDE SML (M7, M8, M11, M12)	M11 - CKL36-3K	
51	1259565PDG LOUVERED PANEL, 30.0" RETURN LRG (M22, M23, M24, M25, M26, M27)	M12 - CKL36-3L	
51	1259558PDG LOUVERED PANEL, 30.0" RETURN SML (M13, M14, M15, M16)	M13 - CKL42-1	
51	1259566PDG LOUVERED PANEL, 37.5" RETURN LRG (M28, M29)	M14 - CKL42-1A	
51	1259556P LOUVERED PANEL, RETURN SIDE (M4, M5, M6, M9, M10)	M15 - CKL42-1B	
51	1259571PDG LOUVERED PANEL, RETURN SIDE (M17, M18, M19, M20, M21)	M16 - CKL42-1L	
111	B13400248S MOTOR 1/3 HP, 230V, 2.4 FLA, 1 SP (M28, M29)	M17 - CKL49-1	
111	B13400247S MOTOR 1/4 HP, 230V, 1.8 FLA, 1 SP (M17, M18, M19, M20, M21, M22, M23, M24, M25)	M18 - CKL49-1L	
111	B13400252S MOTOR 1/6 HP, 230V, 1.3 FLA, 1 SP (M13, M14, M15, M16)	M19 - CKL49-3	
111	B13400251S MOTOR 1/6 HP, 230V, 1.3 FLA, 1SP (M1, M2, M3, M4, M5, M6, M7, M8, M9, M10, M11, M12)	M20 - CKL49-3A	
111	B13400269S MOTOR 380/460 50/60 CYCLE (M26, M27)	M21 - CKL49-3L	
121	B1086770S FAN BLADE (M17, M19, M20)	M22 - CKL60-1	
121	B1086775S FAN BLADE (M18, M21)	M23 - CKL60-1L	
121	B1086771S FAN BLADE 18" X-SERIES (M1, M2, M3, M4, M5, M6, M7, M8, M9, M10, M11, M12, M13, M14, M15, M16)	M24 - CKL60-3	
121	B1086750S FAN BLADE, 22", 3 BLADE, 24° (M22, M23, M24, M25, M26, M27)	M25 - CKL60-3L	
121	B1086748 FAN BLADE, 22", 3 BLADE, 30 DE (M28, M29)	M26 - CKL60-4	
NS	1259525P LOUVERED PANEL, SINGLE PIECE (M2, M3)	M27 - CKL60-4L	
NS	1259527P LOUVERED PANEL, SINGLE PIECE (M1)	M28 - CKL62-1	
		M29 - CKL62-1L	